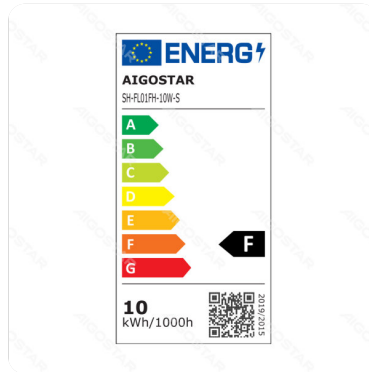


LED sensor floodlight black 10W

Barcode: 8433325310769



Feature

| | |
|------------|-----|
| Technology | LED |
|------------|-----|

Specification

| | |
|-------------|------------------|
| Dimension | L150*W114*H53 mm |
| Wire length | 225mm |

Technical parameters

| | |
|-------------------------|------------|
| Voltage | 220-240V ~ |
| Luminous flux | 750lm |
| EEL | F |
| Current | 50mA |
| CRI | Ra > 70 |
| Beam angle | 110° |
| Hg% | Zero |
| Power | 10W |
| Incandescent Lamp Power | 40W |
| Frequency | 50/60Hz |
| Color temperature | 6500K |
| DF | >0.5 |

Application environment

| | |
|---------------------|--------------|
| Environment | Outdoor |
| Working Temperature | -20°C ~ 40°C |

| | |
|----------|------|
| IP level | IP65 |
|----------|------|

Life span

| | |
|---------------------|------------|
| Life span | 25000h |
| Switching frequency | 15000times |

Material

| | |
|----------------|----------------|
| Main Materials | Glass&Aluminum |
|----------------|----------------|

Certification

| | |
|---------------|---|
| Certification |   |
|---------------|---|

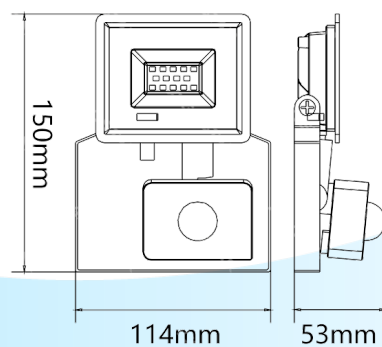
Package

| | |
|-------------------|--------------|
| Package | pc/color box |
| Outer Package | pcs/ctn |
| Unit package qty | 1 |
| Outer package qty | Forty |

Internal parameter

| | |
|-----------------------------------|-------------|
| Power consumption per 1,000 hours | 10kwh/1000h |
|-----------------------------------|-------------|

Dimensional diagram



Certification Download

EEI

[Download](#)