

LED Solar Motion Sensor Split Wall Light Black 6500K

Barcode: 8433325329303



Feature

Technology	LED
------------	-----

Specification

Dimension	L145*W126*H55mm
Solar panel size	L137*W80mm
Type of solar panel	polycrystalline silicon

Technical parameters

Luminous flux	350lm
CRI	Ra≥70
Beam angle	120°
Power	2.4W
Color temperature	6500K
Duration in PIR mode	150times
Sensing angle	120°
Sensing distance	3-5m
Solar panel power	1.65W
Solar panel voltage	5.5V
Solar panel current	300mA

Application environment

Environment	Outdoor
Working Temperature	0°C ~ 45°C
IP level	IP65

Volume

Battery capacity	3.7V1800mAh
------------------	-------------

Life span

Stay on time	8h
--------------	----

Material

Main Materials	Plastic
----------------	---------

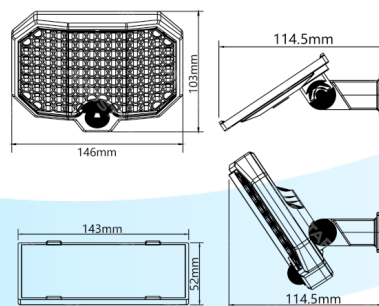
Certification

Certification	
---------------	--

Package

Package	pc/color box
Outer Package	pcs/ctn
Unit package qty	1
Outer package qty	10

Dimensional diagram



Certification Download

Instruction
manual

Download

