

LED Solar Motion Sensor Wall Light COB Black 6500K

Barcode: 8433325329334



Feature

| | |
|------------|-----|
| Technology | LED |
|------------|-----|

Specification

| | |
|---------------------|-------------------------|
| Dimension | L96*W124*H48mm |
| Solar panel size | L80*W45mm |
| Type of solar panel | polycrystalline silicon |

Technical parameters

| | |
|----------------------|----------|
| Luminous flux | 130lm |
| CRI | Ra≥70 |
| Beam angle | 120° |
| Power | 1.1W |
| Color temperature | 6500K |
| Duration in PIR mode | 150times |
| Sensing angle | 120° |
| Sensing distance | 3-5m |
| Solar panel power | 0.44W |
| Solar panel voltage | 5.5V |
| Solar panel current | 80mA |

Application environment

| | |
|---------------------|------------|
| Environment | Outdoor |
| Working Temperature | 0°C ~ 45°C |
| IP level | IP65 |

Volume

| | |
|------------------|-------------|
| Battery capacity | 3.7V1200mAh |
|------------------|-------------|

Life span

| | |
|--------------|----|
| Stay on time | 8h |
|--------------|----|

Material

| | |
|----------------|---------|
| Main Materials | Plastic |
|----------------|---------|

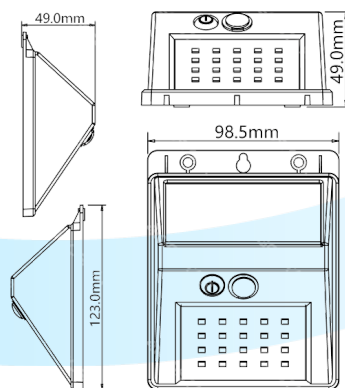
Certification

| | |
|---------------|--|
| Certification |  |
|---------------|--|

Package

| | |
|-------------------|--------------|
| Package | pc/color box |
| Outer Package | pcs/ctn |
| Unit package qty | 1 |
| Outer package qty | 10 |

Dimensional diagram



Certification Download

Instruction
manual

[Download](#)

