

EN LED TRI-PROOF LIGHT

SPECIFICATIONS

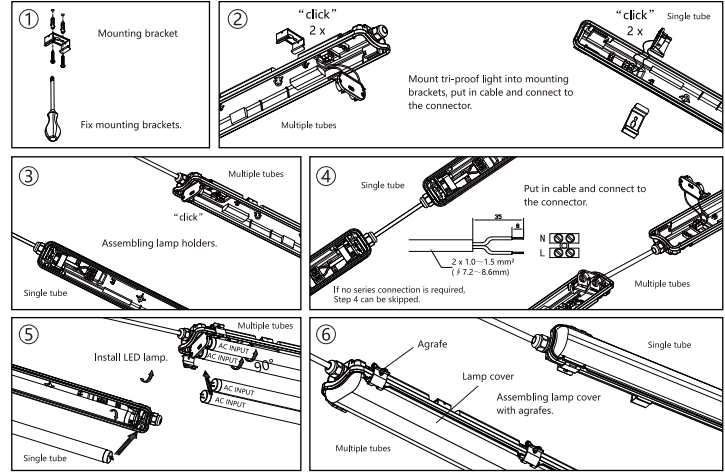
This product contains a light source of energy efficiency class <E> for (EU) 2019/2015.

Model	Voltage	Frequency	Power	Current	CCT	Protection	Dimension	ERP	Lin cable qty in line
SH-TP06I-1-65	220-240V~	50/60Hz	9W	73mA	6500K	IP65	L666*W68*H58mm	E	36pcs
SH-TP06I-1-40	220-240V~	50/60Hz	9W	73mA	4000K	IP65	L666*W68*H58mm	E	36pcs
SH-TP12I-1-65	220-240V~	50/60Hz	18W	145mA	6500K	IP65	L1276*W68*H58mm	E	18pcs
SH-TP12I-1-40	220-240V~	50/60Hz	18W	145mA	4000K	IP65	L1276*W68*H58mm	E	18pcs
SH-TP15I-1-65	220-240V~	50/60Hz	22W	180mA	6500K	IP65	L1576*W68*H58mm	E	18pcs
SH-TP15I-1-40	220-240V~	50/60Hz	22W	180mA	4000K	IP65	L1576*W68*H58mm	E	18pcs
SH-TP06I-2-65	220-240V~	50/60Hz	2x9W	2x73mA	6500K	IP65	L666*W94*H55mm	E	9pcs
SH-TP06I-2-40	220-240V~	50/60Hz	2x9W	2x73mA	4000K	IP65	L666*W94*H55mm	E	9pcs
SH-TP12I-2-65	220-240V~	50/60Hz	2x18W	2x145mA	6500K	IP65	L1276*W94*H55mm	E	12pcs
SH-TP12I-2-40	220-240V~	50/60Hz	2x18W	2x145mA	4000K	IP65	L1276*W94*H55mm	E	12pcs
SH-TP15I-2-65	220-240V~	50/60Hz	2x22W	2x180mA	6500K	IP65	L1576*W94*H55mm	E	6pcs
SH-TP15I-2-40	220-240V~	50/60Hz	2x22W	2x180mA	4000K	IP65	L1576*W94*H55mm	E	6pcs

PRODUCT DESCRIPTION

1.The tri-proof light consists of a PC/ABS lamp body and a PC/PS lampshade with a waterproof rating of IP65.
2.The tri-proof light is equipped with an LED tube.
3.It is applicable in garages, subway stations, underground, passages, cleaning workshops, warehouses, etc.
4.For indoor use only.

INSTALLATION



WARNING

- Turn power off before inspection, installation or removal.
- Supply connection and other external wiring conductor shall be at least 1.0mm² and confirm to 60245IEC57.

ES LUZ LED TRI-PROOF

ESPECIFICACIONES

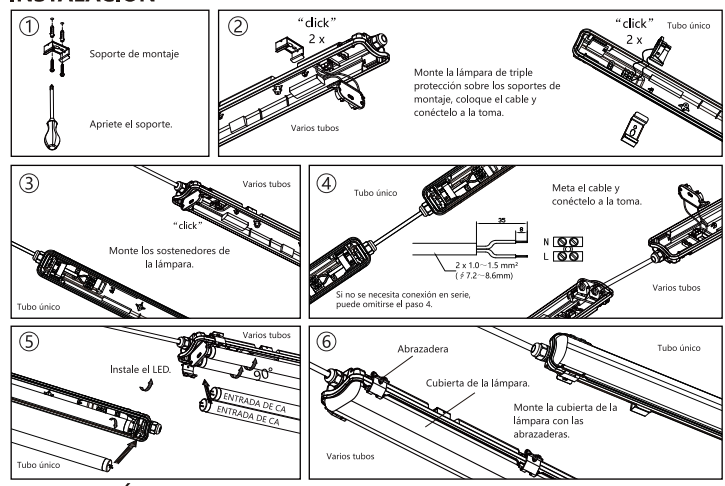
Este producto contiene una fuente de luz con clase de eficiencia energética <E> para (UE) 2019/2015.

Modelo	Voltaje	Frecuencia	Potencia	Intensidad	TCC	Protección	Dimensiones	ERP	Cant. cables en línea
SH-TP06I-1-65	220-240V~	50/60Hz	9 W	73mA	6500K	IP65	L666*W68*H58mm	E	36 uds.
SH-TP06I-1-40	220-240V~	50/60Hz	9 W	73mA	4000K	IP65	L666*W68*H58mm	E	36 uds.
SH-TP12I-1-65	220-240V~	50/60Hz	18 W	145mA	6500K	IP65	L1276*W68*H58mm	E	18 uds.
SH-TP12I-1-40	220-240V~	50/60Hz	18 W	145mA	4000K	IP65	L1276*W68*H58mm	E	18 uds.
SH-TP15I-1-65	220-240V~	50/60Hz	22 W	180mA	6500K	IP65	L1576*W68*H58mm	E	18 uds.
SH-TP15I-1-40	220-240V~	50/60Hz	22 W	180mA	4000K	IP65	L1576*W68*H58mm	E	18 uds.
SH-TP06I-2-65	220-240V~	50/60Hz	2x9 W	2x73mA	6500K	IP65	L666*W94*H55mm	E	9 uds.
SH-TP06I-2-40	220-240V~	50/60Hz	2x9 W	2x73mA	4000K	IP65	L666*W94*H55mm	E	9 uds.
SH-TP12I-2-65	220-240V~	50/60Hz	2x18 W	2x145mA	6500K	IP65	L1276*W94*H55mm	E	12 uds.
SH-TP12I-2-40	220-240V~	50/60Hz	2x18 W	2x145mA	4000K	IP65	L1276*W94*H55mm	E	12 uds.
SH-TP15I-2-65	220-240V~	50/60Hz	2x22 W	2x180mA	6500K	IP65	L1576*W94*H55mm	E	6 uds.
SH-TP15I-2-40	220-240V~	50/60Hz	2x22 W	2x180mA	4000K	IP65	L1576*W94*H55mm	E	6 uds.

DESCRIPCIÓN DEL PRODUCTO

1.La lámpara de triple protección está formada por un cuerpo de PC/ABS y una pantalla de PC/PS con grado de impermeabilidad IP65.
2.La lámpara de triple protección está formada por un tubo LED.
3.Se puede utilizar en garajes, estaciones de metro, subterráneos, pasajes, talleres de limpieza, almacenes, etc.
4.Solo para uso en interiores.

INSTALACIÓN



PRECAUCIÓN

- Desconecte la alimentación antes revisar, instalar o desmontar el producto.
- La fuente de alimentación y demás cables externos deberán ser de al menos 1.0 mm² y cumplir la norma 60245IEC57.

PL LAMPA LED TRI-PROOF

SPECYFIKACJA

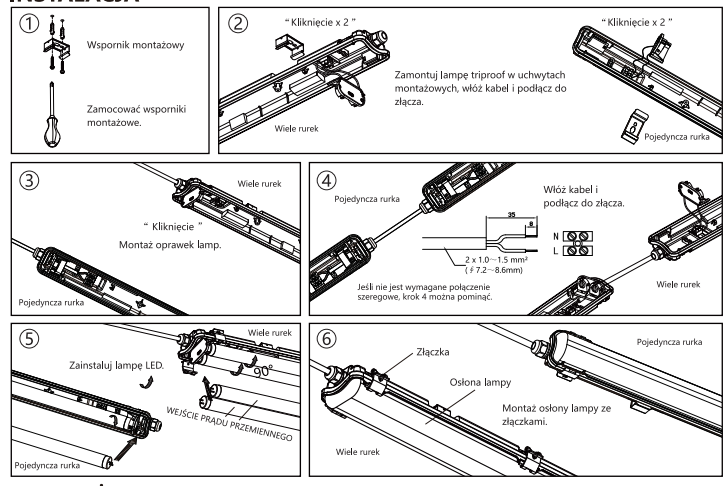
Ten produkt zawiera źródło światła o klasie efektywności energetycznej <E> wg (UE) 2019/2015.

Model	Napięcie	Częstotliwość	Moc	Prąd	CCT	Ochrona	Wymiary	ERP	Ilość kabli w linii
SH-TP06I-1-65	220-240V~	50/60Hz	9W	73mA	6500K	IP65	L666*W68*H58mm	E	36szt.
SH-TP06I-1-40	220-240V~	50/60Hz	9W	73mA	4000K	IP65	L666*W68*H58mm	E	36szt.
SH-TP12I-1-65	220-240V~	50/60Hz	18W	145mA	6500K	IP65	L1276*W68*H58mm	E	18szt.
SH-TP12I-1-40	220-240V~	50/60Hz	18W	145mA	4000K	IP65	L1276*W68*H58mm	E	18szt.
SH-TP15I-1-65	220-240V~	50/60Hz	22W	180mA	6500K	IP65	L1576*W68*H58mm	E	18szt.
SH-TP15I-1-40	220-240V~	50/60Hz	22W	180mA	4000K	IP65	L1576*W68*H58mm	E	18szt.
SH-TP06I-2-65	220-240V~	50/60Hz	2x9W	2x73mA	6500K	IP65	L666*W94*H55mm	E	9szt.
SH-TP06I-2-40	220-240V~	50/60Hz	2x9W	2x73mA	4000K	IP65	L666*W94*H55mm	E	9szt.
SH-TP12I-2-65	220-240V~	50/60Hz	2x18W	2x145mA	6500K	IP65	L1276*W94*H55mm	E	12szt.
SH-TP12I-2-40	220-240V~	50/60Hz	2x18W	2x145mA	4000K	IP65	L1276*W94*H55mm	E	12szt.
SH-TP15I-2-65	220-240V~	50/60Hz	2x22W	2x180mA	6500K	IP65	L1576*W94*H55mm	E	6szt.
SH-TP15I-2-40	220-240V~	50/60Hz	2x22W	2x180mA	4000K	IP65	L1576*W94*H55mm	E	6szt.

OPIS PRODUKTU

1.Ta lampa triproof składa się z korpusu wykonanego z PC/ABS i klosza z PC/PS o klasie wodoodporności IP65.
2.Lampa triproof jest wyposażona w diodę LED.
3.Ma zastosowanie w garażach, na stacjach metra, pod ziemią, w przejściach, warsztatach, magazynach itp.
4.Tylko do użytku wewnątrz pomieszczeń.

INSTALACJA



OSTRZEŻENIE

- Wyłącz zasilanie przed jej inspekcją, instalacją lub demontażem.
- Podłączenie zasilania i inne zewnętrzne przewody powinny mieć co najmniej 1.0 mm² i być zgodne z normą 60245IEC57.

IT LUCE LED TRI-PROOF

SPECIFICHE

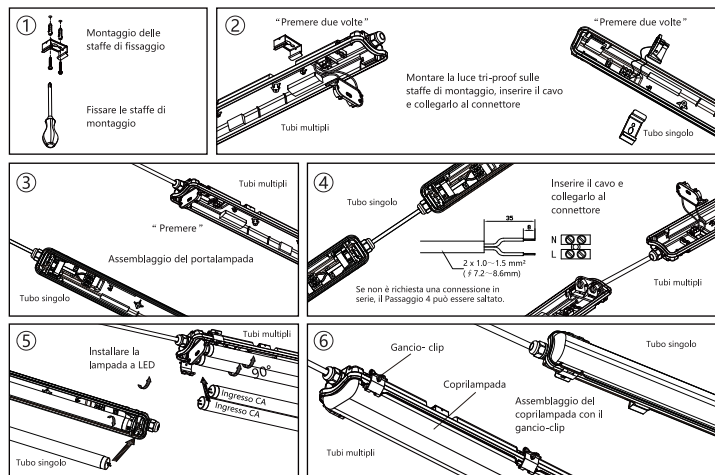
Questo prodotto include una fonte di luce con una classe di efficienza energetica <E> in conformità alla normativa (UE) 2019/2015.

Modello	Voltaggio	Frequenza	Potenza	Corrente	CCT	Protezione	Dimensioni	ERP	Quantità di cavi in linea
SH-TP06I-1-65	220-240V~	50/60Hz	9W	73mA	6500K	IP65	L666*W68*H58mm	E	36pz
SH-TP06I-1-40	220-240V~	50/60Hz	9W	73mA	4000K	IP65	L666*W68*H58mm	E	36pz
SH-TP12I-1-65	220-240V~	50/60Hz	18W	145mA	6500K	IP65	L1276*W68*H58mm	E	18pz
SH-TP12I-1-40	220-240V~	50/60Hz	18W	145mA	4000K	IP65	L1276*W68*H58mm	E	18pz
SH-TP15I-1-65	220-240V~	50/60Hz	22W	180mA	6500K	IP65	L1576*W68*H58mm	E	18pz
SH-TP15I-1-40	220-240V~	50/60Hz	22W	180mA	4000K	IP65	L1576*W68*H58mm	E	18pz
SH-TP06I-2-65	220-240V~	50/60Hz	2x9W	2x73mA	6500K	IP65	L666*W94*H55mm	E	9pz
SH-TP06I-2-40	220-240V~	50/60Hz	2x9W	2x73mA	4000K	IP65	L666*W94*H55mm	E	9pz
SH-TP12I-2-65	220-240V~	50/60Hz	2x18W	2x145mA	6500K	IP65	L1276*W94*H55mm	E	12pz
SH-TP12I-2-40	220-240V~	50/60Hz	2x18W	2x145mA	4000K	IP65	L1276*W94*H55mm	E	12pz
SH-TP15I-2-65	220-240V~	50/60Hz	2x22W	2x180mA	6500K	IP65	L1576*W94*H55mm	E	6pz
SH-TP15I-2-40	220-240V~	50/60Hz	2x22W	2x180mA	4000K	IP65	L1576*W94*H55mm	E	6pz

DESCRIZIONE DEL PRODOTTO

1. La luce tri-proof è costituita da un corpo lampada in PC/ABS e un diffusore in PC/PS con grado di protezione IP65 contro l'acqua e la polvere.
2. La luce tri-proof è dotata di un tubo LED.
3. È adatta per l'illuminazione di garage, stazioni della metropolitana, sottopassi, officine di pulizia, magazzini, ecc.
4. Destinata esclusivamente per uso interno.

INSTALLATION



ATTENZIONE

- Prima di effettuare l'ispezione, l'installazione o la rimozione, assicurarsi di spegnere l'alimentazione.
- La connessione di alimentazione e il conduttore esterno devono avere una sezione di almeno 1,0 mm² e devono essere conformi alla norma 60245IEC57.

DE LED-DREILICHT

SPEZIFIKATIONEN

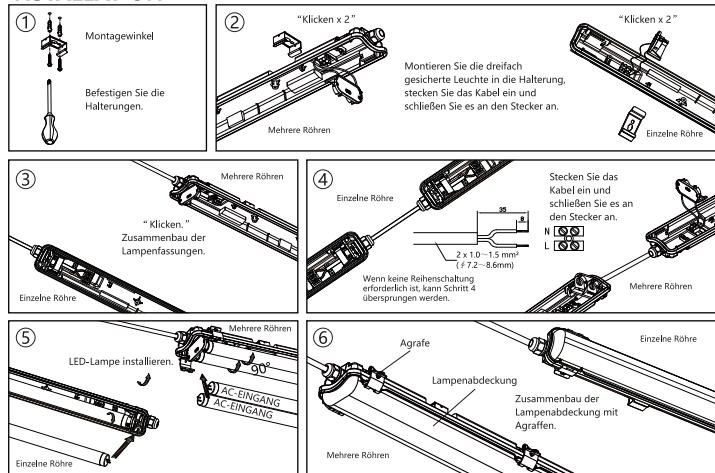
Dieses Produkt enthält eine Lichtquelle der Energieeffizienzklasse <E> für (EU) 2019/2015.

Modell	Spannung	Frequenz	Strom	Aktuell	CCT	Schutz	Dimension	ERP	Anzahl der Kabel in der Leitung
SH-TP06I-1-65	220-240V~	50/60Hz	9W	73mA	6500K	IP65	L666*W68*H58mm	E	36Stück
SH-TP06I-1-40	220-240V~	50/60Hz	9W	73mA	4000K	IP65	L666*W68*H58mm	E	36Stück
SH-TP12I-1-65	220-240V~	50/60Hz	18W	145mA	6500K	IP65	L1276*W68*H58mm	E	18 Stk.
SH-TP12I-1-40	220-240V~	50/60Hz	18W	145mA	4000K	IP65	L1276*W68*H58mm	E	18 Stk.
SH-TP15I-1-65	220-240V~	50/60Hz	22W	180mA	6500K	IP65	L1576*W68*H58mm	E	18 Stk.
SH-TP15I-1-40	220-240V~	50/60Hz	22W	180mA	4000K	IP65	L1576*W68*H58mm	E	18 Stk.
SH-TP06I-2-65	220-240V~	50/60Hz	2x9W	2x73mA	6500K	IP65	L666*W94*H55mm	E	9Stück
SH-TP06I-2-40	220-240V~	50/60Hz	2x9W	2x73mA	4000K	IP65	L666*W94*H55mm	E	9Stück
SH-TP12I-2-65	220-240V~	50/60Hz	2x18W	2x145mA	6500K	IP65	L1276*W94*H55mm	E	12Stück
SH-TP12I-2-40	220-240V~	50/60Hz	2x18W	2x145mA	4000K	IP65	L1276*W94*H55mm	E	12Stück
SH-TP15I-2-65	220-240V~	50/60Hz	2x22W	2x180mA	6500K	IP65	L1576*W94*H55mm	E	6Stück
SH-TP15I-2-40	220-240V~	50/60Hz	2x22W	2x180mA	4000K	IP65	L1576*W94*H55mm	E	6Stück

BESCHREIBUNG DES PRODUKTS

1. Die dreifach geschützte Leuchte besteht aus einem PC/ABS-Lampenkörper und einem PC/PS-Lampenschirm mit einer Wasserdichtheitsklasse von IP65.
2. Die dreifach gesicherte Leuchte ist mit einer LED-Röhre ausgestattet.
3. Sie ist in Garagen, U-Bahn-Stationen, Durchgängen, Reinigungswerkstätten, Lagerhallen usw. einsetzbar.
4. Nur zur Verwendung in Innenräumen.

INSTALLATION



WARNUNG

- Schalten Sie das Gerät vor der Inspektion, dem Einbau oder dem Ausbau aus.
- Der Versorgungsanschluss und andere externe Kabel müssen mindestens 1,0 m lang sein und der Norm 60245IEC57 entsprechen.

NL LED TRI-PROOF LICHT

SPECIFICATIES

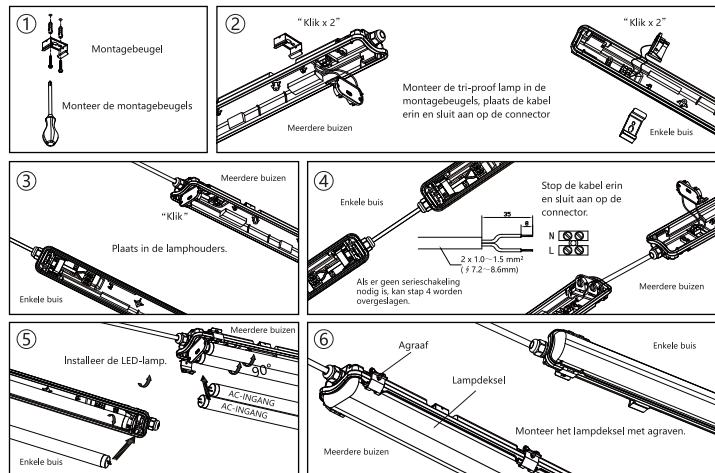
Dit product bevat een lichtbron van energie-efficiëntieklasse <E> voor (EU) 2019/2015.

Model	Voltage	Frequentie	Vermogen	Stroomsterkte	CCT	Bescherming	Dimensies	ERP	Lijk aantal in lijn
SH-TP06I-1-65	220-240V~	50/60Hz	9W	73mA	6500K	IP65	L666*W68*H58mm	E	36 stuks
SH-TP06I-1-40	220-240V~	50/60Hz	9W	73mA	4000K	IP65	L666*W68*H58mm	E	36 stuks
SH-TP12I-1-65	220-240V~	50/60Hz	18W	145mA	6500K	IP65	L1276*W68*H58mm	E	18 stuks
SH-TP12I-1-40	220-240V~	50/60Hz	18W	145mA	4000K	IP65	L1276*W68*H58mm	E	18 stuks
SH-TP15I-1-65	220-240V~	50/60Hz	22W	180mA	6500K	IP65	L1576*W68*H58mm	E	18 stuks
SH-TP15I-1-40	220-240V~	50/60Hz	22W	180mA	4000K	IP65	L1576*W68*H58mm	E	18 stuks
SH-TP06I-2-65	220-240V~	50/60Hz	2x9W	2x73mA	6500K	IP65	L666*W94*H55mm	E	9 stuks
SH-TP06I-2-40	220-240V~	50/60Hz	2x9W	2x73mA	4000K	IP65	L666*W94*H55mm	E	9 stuks
SH-TP12I-2-65	220-240V~	50/60Hz	2x18W	2x145mA	6500K	IP65	L1276*W94*H55mm	E	12 stuks
SH-TP12I-2-40	220-240V~	50/60Hz	2x18W	2x145mA	4000K	IP65	L1276*W94*H55mm	E	12 stuks
SH-TP15I-2-65	220-240V~	50/60Hz	2x22W	2x180mA	6500K	IP65	L1576*W94*H55mm	E	6 stuks
SH-TP15I-2-40	220-240V~	50/60Hz	2x22W	2x180mA	4000K	IP65	L1576*W94*H55mm	E	6 stuks

PRODUCT DESCRIPTION

1. De tri-proof lamp bestaat uit een PC/ABS lampbehuizing en een PC/PS lampenkap met een waterdichtheid van IP65.
2. De tri-proof lamp is uitgerust met een LED-buis.
3. De lamp kan worden gebruikt in garages, metrostations, metro's, doorgangen, schoonmaakwerkplaatsen, magazijnen, enz.
4. Alleen voor gebruik binnenshuis.

INSTALLATIE



WAARSCHUWING

- Schakel de stroom uit vóór inspectie, installatie of verwijdering.
- Voedingsaansluiting en andere externe bedragsgeleiders moeten minimaal 1,0 m lang zijn en voldoen aan 60245IEC57.

FR LUMIÈRE TRI-PROOF LED

CARACTÉRISTIQUES

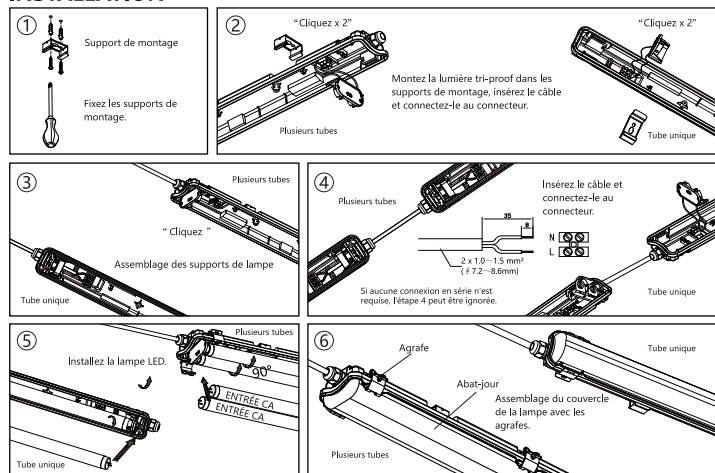
Ce produit contient une source lumineuse de classe d'efficacité énergétique <E> pour (UE) 2019/2015.

Modèle	Tension	Fréquence	Puissance	Courant	CCT	Protection	Dimensions	ERP	Qté de câble Lin en ligne
SH-TP06I-1-6S	220-240V~	50/60Hz	9W	73mA	6500K	IP65	L666*W68*H58mm	E	36 unités
SH-TP06I-1-40	220-240V~	50/60Hz	9W	73mA	4000K	IP65	L666*W68*H58mm	E	36 unités
SH-TP12I-1-6S	220-240V~	50/60Hz	18W	145mA	6500K	IP65	L1276*W68*H58mm	E	18 unités
SH-TP12I-1-40	220-240V~	50/60Hz	18W	145mA	4000K	IP65	L1276*W68*H58mm	E	18 unités
SH-TP15I-1-6S	220-240V~	50/60Hz	22W	180mA	6500K	IP65	L1576*W68*H58mm	E	18 unités
SH-TP15I-1-40	220-240V~	50/60Hz	22W	180mA	4000K	IP65	L1576*W68*H58mm	E	18 unités
SH-TP06I-2-6S	220-240V~	50/60Hz	2x9W	2x73mA	6500K	IP65	L666*W94*H55mm	E	9 unités
SH-TP06I-2-40	220-240V~	50/60Hz	2x9W	2x73mA	4000K	IP65	L666*W94*H55mm	E	9 unités
SH-TP12I-2-6S	220-240V~	50/60Hz	2x18W	2x145mA	6500K	IP65	L1276*W94*H55mm	E	12 unités
SH-TP12I-2-40	220-240V~	50/60Hz	2x18W	2x145mA	4000K	IP65	L1276*W94*H55mm	E	12 unités
SH-TP15I-2-6S	220-240V~	50/60Hz	2x22W	2x180mA	6500K	IP65	L1576*W94*H55mm	E	6 unités
SH-TP15I-2-40	220-240V~	50/60Hz	2x22W	2x180mA	4000K	IP65	L1576*W94*H55mm	E	6 unités

DESCRIPTION DU PRODUIT

- La lampe tri-proof se compose d'un corps de lampe PC/ABS et d'un abat-jour PC/PS avec un indice d'étanchéité IP65.
- La lampe tri-proof est équipée d'un tube LED.
- Convient pour les garages, stations de métro, souterrains, passages, ateliers, entrepôts, etc.
- Pour une utilisation en intérieur uniquement.

INSTALLATION



AVERTISSEMENT

- Coupez l'alimentation avant l'inspection, l'installation ou le retrait.
- La connexion d'alimentation et les autres conducteurs de câblage externes doivent être d'au moins 1,0 mm² et être conformes à la norme 60245IEC57.

PT LUZ DE TRI LED

ESPECIFICAÇÕES

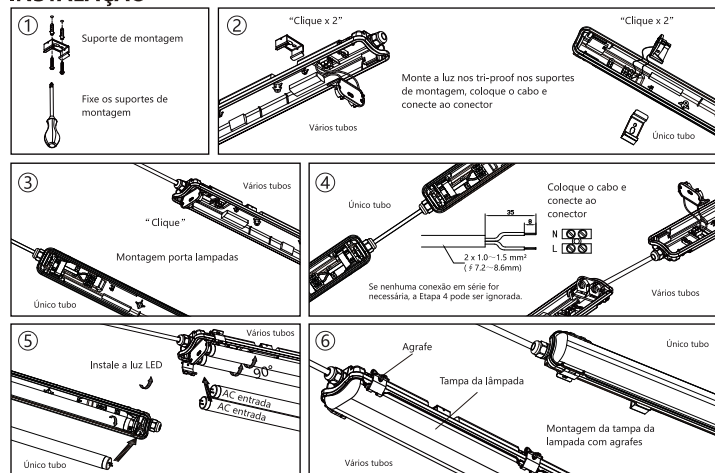
Este produto contém uma fonte de luz de classe de eficiência energética <E> para (EU) 2019/2015.

Modelo	Voltagem	Frequência	Potência	Corrente	CCT	Proteção	Dimensão	ERP	Lin cabo qtd em linha
SH-TP06I-1-6S	220-240V~	50/60Hz	9W	73mA	6500K	IP65	L666*W68*H58mm	E	36pcs
SH-TP06I-1-40	220-240V~	50/60Hz	9W	73mA	4000K	IP65	L666*W68*H58mm	E	36pcs
SH-TP12I-1-6S	220-240V~	50/60Hz	18W	145mA	6500K	IP65	L1276*W68*H58mm	E	18pcs
SH-TP12I-1-40	220-240V~	50/60Hz	18W	145mA	4000K	IP65	L1276*W68*H58mm	E	18pcs
SH-TP15I-1-6S	220-240V~	50/60Hz	22W	180mA	6500K	IP65	L1576*W68*H58mm	E	18pcs
SH-TP15I-1-40	220-240V~	50/60Hz	22W	180mA	4000K	IP65	L1576*W68*H58mm	E	18pcs
SH-TP06I-2-6S	220-240V~	50/60Hz	2x9W	2x73mA	6500K	IP65	L666*W94*H55mm	E	9pcs
SH-TP06I-2-40	220-240V~	50/60Hz	2x9W	2x73mA	4000K	IP65	L666*W94*H55mm	E	9pcs
SH-TP12I-2-6S	220-240V~	50/60Hz	2x18W	2x145mA	6500K	IP65	L1276*W94*H55mm	E	12pcs
SH-TP12I-2-40	220-240V~	50/60Hz	2x18W	2x145mA	4000K	IP65	L1276*W94*H55mm	E	12pcs
SH-TP15I-2-6S	220-240V~	50/60Hz	2x22W	2x180mA	6500K	IP65	L1576*W94*H55mm	E	6pcs
SH-TP15I-2-40	220-240V~	50/60Hz	2x22W	2x180mA	4000K	IP65	L1576*W94*H55mm	E	6pcs

DESCRIÇÃO DO PRODUTO

- A luz tri-proof consiste em um corpo de lâmpada PC/ABS e um abajur PC/PS com uma classificação à prova d'água de IP65.
- A luz tri-proof é equipada com um tubo de LED.
- É aplicável em garagens, estações de metrô, subterrâneos, passagens, oficinas de limpeza, armazéns, etc.
- Somente para uso interno.

INSTALAÇÃO



AVISO

- Desligue a energia antes da inspeção, instalação ou remoção.
- A conexão de alimentação e outros condutores de fiação externa devem ter pelo menos 1,0 mm² e confirmar com 60245IEC57.

HU LED TRI-PROOF LÁMPA

MŰSZAKI ADATOK

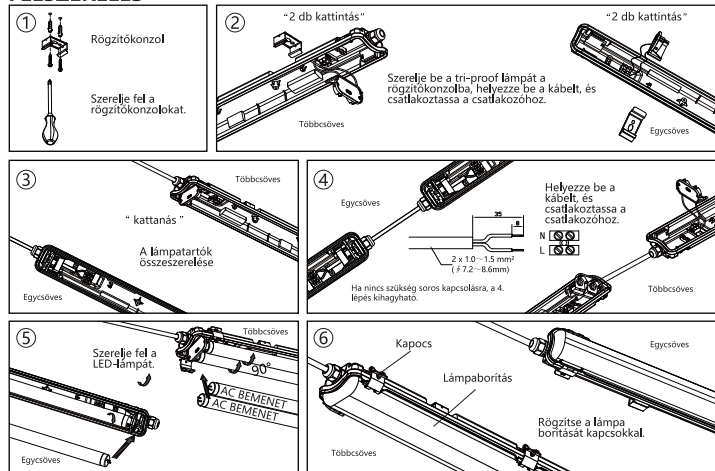
A termék a 2019/2015 (EU) rendelet szerinti <E> energiateljesítményi osztályba tartozó fényforrást tartalmaz.

Modell	Feszültség	Frekvencia	Teljesítmény	Áramösszeg	CCT(Állítható színhőmérséklet)	Védelem	Méretek	ERP	Lineáris kábelék száma sorban
SH-TP06I-1-6S	220-240V~	50/60Hz	9W	73mA	6500K	IP65	L666*W68*H58mm	E	36 db
SH-TP06I-1-40	220-240V~	50/60Hz	9W	73mA	4000K	IP65	L666*W68*H58mm	E	36 db
SH-TP12I-1-6S	220-240V~	50/60Hz	18W	145mA	6500K	IP65	L1276*W68*H58mm	E	18 db
SH-TP12I-1-40	220-240V~	50/60Hz	18W	145mA	4000K	IP65	L1276*W68*H58mm	E	18 db
SH-TP15I-1-6S	220-240V~	50/60Hz	22W	180mA	6500K	IP65	L1576*W68*H58mm	E	18 db
SH-TP15I-1-40	220-240V~	50/60Hz	22W	180mA	4000K	IP65	L1576*W68*H58mm	E	18 db
SH-TP06I-2-6S	220-240V~	50/60Hz	2x9W	2x73mA	6500K	IP65	L666*W94*H55mm	E	9 db
SH-TP06I-2-40	220-240V~	50/60Hz	2x9W	2x73mA	4000K	IP65	L666*W94*H55mm	E	9 db
SH-TP12I-2-6S	220-240V~	50/60Hz	2x18W	2x145mA	6500K	IP65	L1276*W94*H55mm	E	12 db
SH-TP12I-2-40	220-240V~	50/60Hz	2x18W	2x145mA	4000K	IP65	L1276*W94*H55mm	E	12 db
SH-TP15I-2-6S	220-240V~	50/60Hz	2x22W	2x180mA	6500K	IP65	L1576*W94*H55mm	E	6 db
SH-TP15I-2-40	220-240V~	50/60Hz	2x22W	2x180mA	4000K	IP65	L1576*W94*H55mm	E	6 db

TERMÉKLEÍRÁS

- A tri-proof lámpa egy polikarbonát-ABS lámpatestből és egy polikarbonát-polisztirol lámpaburából áll, amelynek vizáló minősítése IP65.
- A tri-proof lámpa LED-csővel van felszerelve.
- Alkalmazható garázsokban, metróállomásokon, a aluljárókban, tisztítóműhelyekben, raktárakban stb.
- Kizárólag beltéri használatra.

FELSZERELÉS



FIGYELEM

- Ellenőrizés, telepítés vagy eltávolítás előtt kapcsolja ki.
- A tápcsatlakozásnak és az egyéb külső vezetéknek legalább 1,0 mm²-esnek kell lenniük, és meg kell felelniük a 60245IEC57 szabvány előírásainak.



XGYT8B702-E9-Ra80-6500K XGYT8B702-e9-z-a
 XGYT8B702-E9-Ra80-4000K XGYT8B702-e9-z-a
 XGYT8B704-E18-Ra80-6500K XGYT8B704-e18-z-a
 XGYT8B704-E18-Ra80-4000K XGYT8B704-e18-z-a

XGYT8B705-E22-Ra80-6500K XGYT8B705-e22-z
 XGYT8B705-E22-Ra80-4000K XGYT8B705-e22-z
 XGYT8B702-E9-Ra80-6500K XGYT8B702-e9-z-a
 XGYT8B702-E9-Ra80-4000K XGYT8B702-e9-z-a

XGYT8B704-E18-Ra80-6500K XGYT8B704-e18-z-a
 XGYT8B704-E18-Ra80-4000K XGYT8B704-e18-z-a
 XGYT8B705-E22-Ra80-6500K XGYT8B705-e22-z
 XGYT8B705-E22-Ra80-4000K XGYT8B705-e22-z