



AIGOSTAR

INSTRUCTION MANUAL

SMART AIR FRYER



MODEL 300010XQF

PLEASE READ THE MANUAL CAREFULLY BEFORE OPERATING
YOUR PRODUCT AND RETAIN IT FOR FUTURE USE

CONTENTS

EN	-----	01-10
ES	-----	11-20
PL	-----	21-30
IT	-----	31-40
DE	-----	41-50
NL	-----	51-60
FR	-----	61-70
PT	-----	71-80
HU	-----	81-90

IMPORTANT SAFETY INSTRUCTIONS

When using electrical appliances, basic safety precautions should always be followed, including the following:

1. Read all instructions. Check if the voltage indicated on the appliance fits the local mains voltage.
2. Do not touch hot surfaces.
3. To protect against electric shock, do not immerse the cord, plug, or any housing that contains electrical components and heating elements in water or rinse them under a tap.
4.  **WARNING:** This electrical appliance includes a heating function. Surfaces other than the functional surfaces can also reach high temperatures. Since temperatures are perceived differently by different people, this equipment must be used with CAUTION. Use the handles and gripping surfaces provided to touch the equipment, and use heat protection such as gloves. Surfaces other than the intended gripping surfaces must be given sufficient time to cool down before being touched.
5. Unplug the appliance from the wall socket when not in use and before cleaning. Allow it to cool down before attaching or detaching parts. The appliance needs

approximately 30 minutes to cool down to be safely handled or cleaned. To disconnect the appliance, turn any control to the 'OFF' position, then remove the plug from the wall socket.

6. If the supply cord is damaged, it must be replaced by the manufacturer, its service agent, or similarly qualified persons in order to avoid hazards.
7. The use of accessory attachments is not recommended by the appliance manufacturer and may cause injury.
8. Do not use the appliance outdoors.
9. Do not allow the cord to hang over the edge of a table or counter or come into contact with hot surfaces.
10. Do not place the appliance on or near a hot gas or electric burner or in a heated oven.
11. Extreme caution must be used when moving an appliance that contains hot foodstuffs.
12. Do not use the appliance other than for its intended use.
13. This appliance can be used by children aged eight years and above and persons with reduced physical, sensory, or mental capabilities or lack of experience and knowledge if they are supervised, understand the hazards involved, and have been given instruction about how to use it s

afely. Children must not play with the appliance. Children should not clean or carry out user maintenance unless they are adequately supervised.

14. Keep the appliance and cord out of reach of children under eight years old.
15. The appliance is not intended to be operated by means of an external timer or separate remote-control system.
16. Always put the ingredients to be fried in the frying basket/pot, and prevent this from coming into contact with the heating elements.
17. Do not cover the air inlets and outlets while the appliance is in operation.
18. Do not fill the pot with too much oil, as this may cause a fire hazard.
19. Never touch the inside of the appliance while it is in operation.
20. Do not use the appliance if there is any damage to the plug, mains cord, or other parts. The main power cable should not be fixed or replaced by any person unauthorized to carry out such procedures.
21. Do not plug in the appliance or operate the control panel with wet hands.
22. Do not place the appliance against a wall or in contact with other appliances. Leave at least 10 cm free space above and at the

back and sides of the appliance.

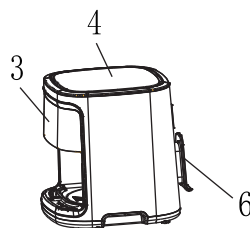
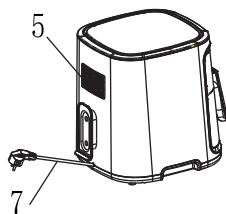
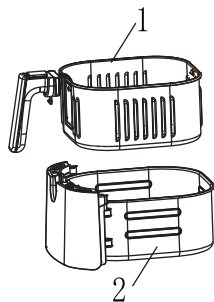
23. Do not leave the appliance unattended when in operation.
24. During hot air frying, hot steam is released through the air outlets. Keep your hands and face at a safe distance from the steam and the outlets. Also, be careful of hot steam and air when you remove the pot from the appliance. Any accessible surfaces may become hot during use.
25. Immediately unplug the appliance if it starts to emit dark smoke. Wait for it to stop smoking before you remove the pot from the appliance.
26. If the appliance is used improperly or for commercial or semi-commercial purposes, or is not used according to these instructions, the guarantee will be invalidated, and the manufacturer can refuse any liability for damage caused.
27. This appliance is intended for use in household and similar applications, such as:
 - Staff kitchen areas in shops, offices, and other working environments;
 - Farmhouses;
 - By clients in hotels, motels, and other residential type environments;
 - Bed and breakfast type environments.

TECHNICAL SPECIFICATIONS

Model No.	300010XQF
Power Supply	220-240V ~ 50/60Hz
Power Consumption	1900W
Dimensions	L416*W318*H346mm
Capacity	7L
Operating Frequency	2400-2483.5MHz
Maximum transmitted	21dBm

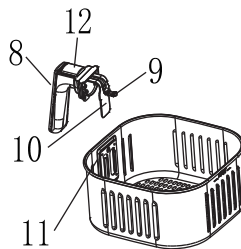
Specifications and design are subject to change without notice.

PRODUCT OVERVIEW

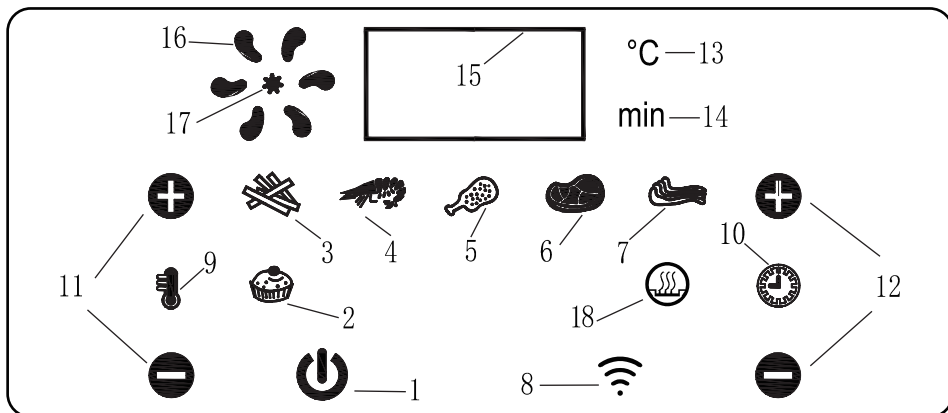


1. Frying basket
2. Pot
3. Touch panel
4. Air inlet cap
5. Air outlet cap
6. Bobbin

7. Power cord
8. Basket handle assembly
9. Screws
10. Basket arm
11. Basket arm base
12. Handle release button



KEY FUNCTIONS



1. POWER BUTTON

Once the power supply is connected, the buzzer will emit a "DI" sound, all indicators will briefly illuminate. After that, only the power button remain illuminated and the display will show "OFF". This indicates that the air fryer is in sleep mode.

Place the appliance in standby mode: Lightly touch the power button. The display will show the default setting of 200°C, 18 minutes. The other operation buttons will be illuminated at the same time.

Start the device: After setting the time and temperature, touch the power button again to start the device.

Turn off the device: Touch the power button during the frying process to shut down the appliance. The fryer will stop working and return to sleep mode

2-7. RECIPE BUTTON

The recipe button allows you to automatically set the cooking conditions for seven popular food choices. Once selected, the corresponding recipe button will flash, and the fryer will be set to the default time and temperature.

Note: These settings are the default settings. As ingredients differ in origin, size, shape, and brand, we cannot predetermine the best setting for all ingredients. You can increase or decrease the default time and temperature according to the nature of your ingredients by using the time/temperature control button.

Items	Ingredients	Default temperature (°C)	Default time (minutes)
2	Cake	160	30
3	Potatoes	200	22
4	Shrimp	180	15
5	Chicken	200	22
6	Steak	180	15
7	Meat	180	20

8. WIFI INDICATOR

9. TEMPERATURE CONTROL INDICATOR

10. TIME CONTROL INDICATOR

11. TEMPERATURE CONTROL BUTTONS

The + and – symbols increase or decrease the Cooking/Keep warm temperature by 10°C each time. Holding the button down will rapidly change the temperature. The temperature control ranges from 80°C-200°C.

12. TIMER CONTROL BUTTONS

The + and – symbols enable you to increase or decrease the Cooking/Keep warm time (in one-minute increments). Holding the button down will rapidly change the cooking time. The timing range is 1-60 minutes.

13. TEMPERATURE INDICATOR

14. TIME INDICATOR

15. DISPLAY

16. FAN INDICATOR

This indicates that the fan is working.

17. HEATING INDICATOR

This indicates that the heating element is working.

18. KEEP WARM BUTTON

Touch the keep warm button and start the device. The fryer will operate in keep warm mode, and the keep warm button will flash. The default setting is 80°C, 60 minutes. You can also adjust the keep warm time and temperature using the time/temperature control button.

BEFORE FIRST USE

1. Remove all packing materials.
2. Clean the frying basket and pot thoroughly with hot water, detergent, and a non-abrasive sponge.
3. Wipe the inside and outside of the product with a wet cloth.
4. **Warning:** On first use, the air fryer may emit a slight odor. This odor is not harmful and will disappear after a few minutes. This is normal with many heating appliances. It does not affect the safety of your appliance.

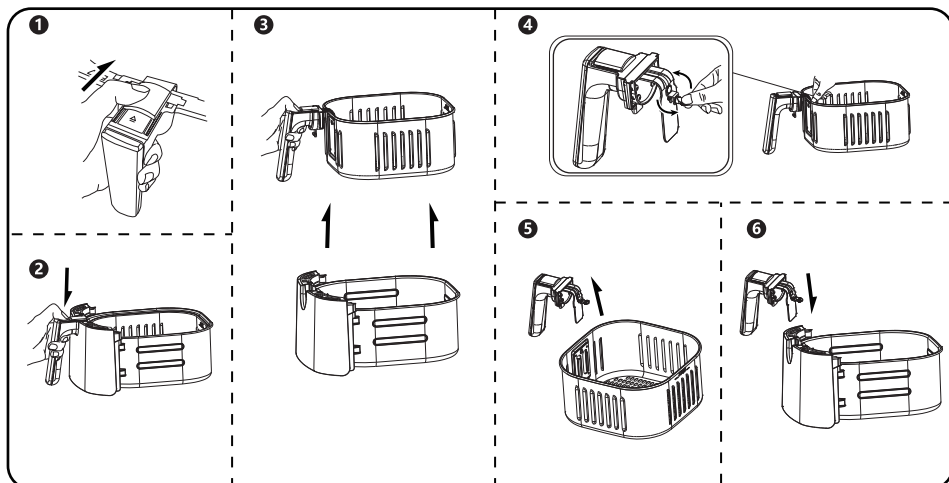
OPERATING INSTRUCTIONS

1. Place the fryer on a stable, horizontal, and even surface. Do not put anything on top of the fryer as this will disrupt the airflow and affect the results.
2. When the power is connected, the air fryer will make a DI sound. The digital screen will briefly illuminate. After that, only the power button, WiFi indicator

and the display will remain illuminated. This indicates that the air fryer is in sleep mode.

- Place the basket in the pot. Carefully pull the fryer pot out of the air fryer. Put the ingredients in the basket.
- Slide the fryer pot back into the air fryer.

Note: You can also assemble the basket handle to the pot directly for frying without the use of the basket (Unscrew the screw on the basket arm to detach the basket handle from the basket arm base and screw it to the pot.)



Caution: Do not touch the inside of the fryer pot or basket within 30 mins of use as they get very hot. Always use the handle provided to hold the pot.

- Determine the required cooking time and temperature for the ingredients being fried (see KEY FUNCTIONS).
- Some foods require shaking halfway through the cooking time. To shake the food, remove the pot from the fryer using the handle, and gently shake it. Then, slide the pot back into the fryer. Rapid air technology can instantly reheat the air inside the appliance. As such, removing the pot from the device during the hot air frying process does not disturb the cooking process.

Caution: Do not press the handle release button during shaking.

- When you hear the timer buzzer, the set cooking time has been reached. Use the handle to remove the pot from the appliance.
- Check if the food is thoroughly cooked. If it is not, simply slide the pot back into the appliance and set the timer for a few additional minutes.
- To remove food (e.g., fries), pull the pot out of the hot air fryer and place it onto a heat-resistant surface. Then, press the basket release button and lift the basket out of the pot. Empty the basket into a bowl or onto a plate.

Caution: Do not turn the basket upside down with the pot still attached to it, as any excess oil that has collected at the bottom of the pot will leak onto the food.

Caution: The pot and food will be very hot. Depending on the type of food you have cooked in the air fryer, steam may escape from the pot.

- When one batch of food is ready, the hot air fryer is instantly ready to cook another batch.

COOKING TIPS

1. Smaller amounts of food usually require a slightly shorter cooking time than larger volumes.
2. Shaking smaller amounts of food halfway through the cooking time optimizes the end result and can help prevent unevenly fried ingredients.
3. Add some oil to fresh potatoes for a crispy result. Fry your ingredients in the hot air fryer a few minutes after adding the oil.
4. Do not cook extremely greasy ingredients, such as sausages, in the hot air fryer.
5. Any snacks that can be cooked in an oven can also be cooked in the hot air fryer.
6. Use pre-made dough to cook filled snacks quickly and easily. Pre-made dough also requires a shorter cooking time than home-made dough.
7. Place a baking tin or oven dish in the hot air fryer basket if you want to bake a cake or quiche or if you want to fry fragile or filled ingredients.

TROUBLESHOOTING

Problem	Possible Cause	Solution
The air fryer does not work.	The appliance is not plugged in.	Plug the mains plug into an earthed wall socket.
The food is not cooked after operation.	There was too much food in the basket.	Put smaller amounts of food in the basket. Smaller quantities are fried more evenly.
	The set temperature was too low.	Set the temperature key to the appropriate temperature setting.
	The cooking time was too short.	Set the timer to the required cooking time.
The food has fried unevenly in the hot air fryer.	Certain types of food need to be shaken halfway through the cooking time.	Ingredients that lie on top of or across each other (e.g., fries) need to be shaken halfway through the cooking time.
Fried snacks are not crispy when they come out of the hot air fryer.	You used a type of snack that should be cooked in a traditional deep fryer.	Use oven snacks or lightly brush some oil onto the snacks for a crispier result.
I cannot slide the pot into the appliance properly.	There is too much food in the basket.	Do not fill the basket beyond the 'MAX' indicator.
	The basket is not correctly placed in the pot.	Push the basket down into the pot until you hear a click.
White smoke emits from the appliance.	You are cooking greasy ingredients.	When you fry greasy ingredients in the hot air fryer, a large amount of oil will leak into the pot. The oil produces white smoke, and the pot may heat up more than usual. This does not affect the appliance or the end cooking result.
	The pot contains grease residue from previous use.	White smoke is caused by grease heating up in the pot. Make sure you clean the pot properly after each use.
Fresh fries are fried unevenly in the hot air fryer.	You did not use the right type of potato.	Use fresh potatoes and make sure they stay firm during frying.
	You did not rinse the potato sticks properly before you fried them.	Rinse the potato sticks properly to remove starch from the outside of the sticks.
Fresh fries are not crispy when they come out of the hot air fryer.	The crispiness of the fries depends on the amount of oil and water in the fries.	Make sure you dry the potato sticks properly before you add the oil.
		Cut smaller potato sticks for a crispier result.
		Add slightly more oil for a crispier result.

CLEANING AND MAINTENANCE

1. Clean the appliance after every use.
2. Remove the plug from the wall socket and give the appliance time to cool down before cleaning.

Tip: Remove the pot from the appliance to help the hot air fryer cool down more quickly.

3. Clean the pot and basket with hot water, some washing-up liquid, and a non-abrasive sponge.

Note: Do not use metal kitchen utensils or abrasive cleaning materials to clean the pot and the frying basket as this may damage the non-stick coating.

Note: If you wish to clean the basket in a dishwasher, first detach the handle component from the basket arm base. After the basket has been cleaned and is completely dry, reinstall the handle assembly on the basket arm base before tightening the screw for next use. The pot can not be washed in the dishwasher.

4. Wipe the outside of the appliance with a moist cloth.
5. You can use degreasing liquid to remove any remaining dirt.

Tip: If dirt is stuck to the basket or the bottom of the pot, fill the pot with hot water with some washing-up liquid in it. Put the basket in the pot and allow the pot and basket to soak for approximately 10 minutes.

STORAGE

1. Unplug the appliance and allow it to cool completely before storing. Make sure all parts are clean and dry.

Store the hot air fryer in a dry location.

2. Do not place any heavy items on top of the hot air fryer during storage, as this may damage it.
3. The power cord can be wrapped on the bobbin at the back of the fryer for easy storage.

DISPOSAL



As a responsible retailer, we care about the environment.

As such, we urge you to follow the correct disposal procedures for the appliance and its packaging materials. This will help conserve natural resources and ensure that these items are recycled in a manner that protects health and the environment.

You must dispose of the appliance and its packaging according to local laws and regulations.


As this appliance contains electronic components, both the fryer and its accessories must be disposed of separately from household waste when the appliance reaches the end of its life.

Contact your local authority to learn about your disposal and recycling options. The appliance should be taken to your local recycling centre. Some collection points accept appliances free of charge.

WARRANTY: TWO YEARS

INSTRUCCIONES DE SEGURIDAD

Cuando utilice aparatos eléctricos, las siguientes instrucciones de seguridad básicas deben seguirse:

1. Lea todas las instrucciones. Verifique que la tensión indicada en el aparato coincida la tensión local.
2. No toque las superficies calientes
3. Para evitar descargas eléctricas, nunca sumerja el cable eléctrico, ni los componentes eléctricos en agua ni los lave bajo el grifo.
4.  **ATENCIÓN:** Este aparato genera calor y las superficies podrían alcanzar temperaturas muy elevadas. Extreme la precaución al utilizar el producto. Manipule el equipo agarrándolo por las agarradoras o utilice guantes de cocina. Deje que las agarraderas se enfríen antes de tocarlas.
5. Desenchufe siempre el aparato antes de lavarlo. Deje que se enfríe antes de instalar o desinstalar piezas. El aparato tarda aproximadamente 30 minutos en enfriarse. Para apagar el aparato, coloque todos los botones en posición OFF y desenchufe el cable de la toma de corriente.
6. No use el aparato si el cable eléctrico está dañado, o si el aparato no funciona correctamente. Llévelo a un centro

- autorizado para que lo examinen y reparen.
- 7.El uso de accesorios no recomendados por el fabricante podría causar lesiones.
 - 8.Este aparato está diseñado exclusivamente para un uso doméstico.
 - 9.No deje que el cable eléctrico cuelgue del borde de la mesa.
 - 10.No coloque el aparato sobre o cerca de superficies calientes como cocinas de gas, placas eléctricas y hornos.
 - 11.Extreme la precaución al mover el aparato con aceite caliente en el interior.
 - 12.Utilice el aparato únicamente para el fin para el que ha sido diseñado.
 - 13.Este aparato no debe ser utilizado por niños menores de 8 años ni por personas con capacidades físicas, sensoriales o mentales reducidas, o que carezcan de experiencia o conocimiento sobre el manejo de estos dispositivos, a menos que estén bajo supervisión de una persona responsable y sean conscientes de los posibles riesgos. No deje que los niños jueguen con este aparato. Las tareas de limpieza y mantenimiento no deben llevarse a cabo por niños sin supervisión. Mantenga el aparato y el cable eléctrico alejados de los menores de 8 años.
 - 14.Mantenga el aparato y el cable eléctrico fuera del alcance de los menores de 8 años.

- 15.No conecte el aparato a un temporizador de encendido externo ni a un sistema de control remoto.
- 16.Coloque siempre los ingredientes que vaya a freír en la cesta/olla de freír, y evite que entre en contacto con las resistencias.
- 17.Mantenga las aperturas de entrada y salida de aire, libres de obstrucciones mientras el aparato esté en funcionamiento.
- 18.No eche aceite en el recipiente, ya que esto podría causar un incendio.
- 19.Nunca toque el interior de la freidora mientras está en funcionamiento.
- 20.No use el aparato si el cable eléctrico, el enchufe o cualquier otra pieza está dañada, o si el aparato no funciona correctamente. Llévelo a un centro autorizado para que lo examinen y reparen.
- 21.Nunca enchufe el aparato ni toque el panel de control con las manos húmedas.
- 22.No apoye el aparato contra la pared ni contra otro aparato. Deje un espacio de al menos 10 cm en la parte posterior, superior y a ambos lados del aparato.
- 23.Nunca deje el aparato sin supervisión.
- 24.Durante el proceso de cocinado, se libera vapor caliente a través de las aperturas de salida de aire. Manténgase alejado de ellas. Extreme la precaución cuando retire el

recipiente. No toque la superficie.

25.Desenchufe inmediatamente el aparato si observa que este emite humo. Espere hasta que deje de salir humo antes de retirar el recipiente de la freidora.

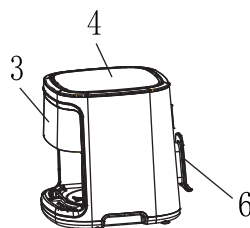
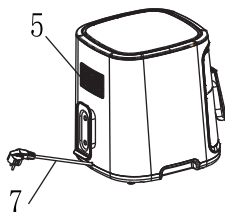
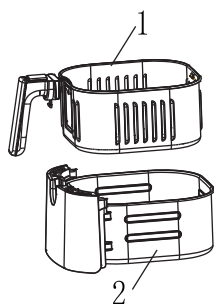
26.Si la freidora no se utiliza de manera apropiada o si se utiliza con fines profesionales o semiprofesionales o si no se siguen las instrucciones de este manual, la garantía se invalidará y el fabricante rechazará cualquier responsabilidad en caso de accidente.

ESPECIFICACIONES TÉCNICAS

Modelo N°	300010XQF
Alimentación	220-240V ~ 50/60Hz
Consumo	1900W
Dimensiones	Largo 416*Ancho318*Alto346mm
Capacidade	7L
Frecuencia de funcionamiento	2400-2483,5 MHz
Transmisión máxima	21 dBm

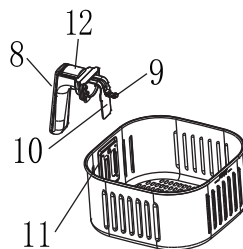
Las especificaciones y el diseño podrían cambiar sin previo aviso.

IDENTIFICACIÓN DE LAS PARTES

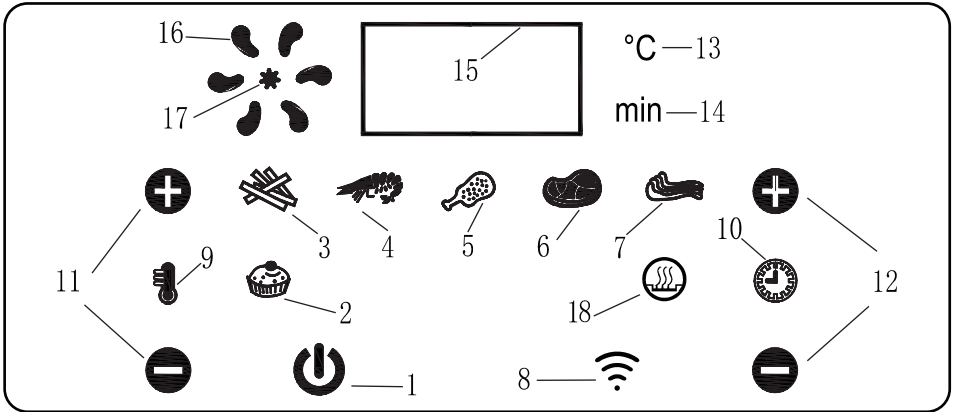


1. Cesta
2. Recipiente
3. Panel de control
4. Entrada de aire
5. Salida de aire
6. Compartimento para guardar el cable
7. Cable eléctrico

8. Estructura del asa de la cesta
9. Tornillos
10. Asa de la cesta
11. Base del asa de la cesta
12. Botón de liberación de la cesta



FUNCIONES DEL APARATO



1. BOTÓN DE ENCENDIDO

Cuando conecte la fuente de alimentación, el aparato emitirá un pitido y todos los indicadores se iluminarán brevemente. Después, solo permanecerá iluminado el botón de encendido y la pantalla mostrará "OFF". Esto quiere decir que la freidora está en modo de espera.

Salir del modo reposo: Pulse con un toque corto el botón de encendido. En la pantalla se mostrará el ajuste por defecto de 200°C, 18 minutos. Se iluminarán al mismo tiempo los otros botones.

Activar el aparato: Tras ajustar el tiempo y la temperatura, pulse de nuevo el botón de encendido para que el aparato empiece a funcionar.

Apagar el dispositivo: Pulse el botón de encendido/apagado durante el proceso para apagar el aparato. La freidora dejará de funcionar y entrará en modo reposo.

2-7. BOTÓN DE RECETAS PREDEFINIDAS

El botón de recetas seleccionará automáticamente el tiempo y la temperatura de cocinado para los siete platos más típicos. Cuando seleccione una de las recetas, el botón correspondiente a ese plato parpadeará y la freidora ajustará el tiempo y la temperatura automáticamente.

Nota: Estos ajustes son ajustes por defecto. Debido a que los ingredientes varían según su origen, tamaño, forma o marca, no se puede garantizar un ajuste óptimo para todos los ingredientes. Puede subir o bajar el tiempo y la temperatura por defecto en función de los ingredientes que use con el botón de control de tiempo/temperatura.

Número	Ingrediente	Temperatura por defecto (°C)	Tiempo por defecto (minutos)
2	Tarta	160	30
3	Patatas	200	22
4	Gambas	180	15
5	Pollo	200	22
6	Ternera	180	15
7	Carne	180	20

8. INDICADOR WIFI**9. INDICADOR DEL CONTROL DE TEMPERATURA****10. INDICADOR DEL CONTROL DE TIEMPO****11. BOTONES DE CONTROL DE LA TEMPERATURA**

Los símbolos + y - se utilizan para subir o bajar la temperatura de cocinado/de mantenimiento de calor en incrementos de 10°C cada vez. Si mantiene pulsado uno de los botones, la temperatura cambiará rápidamente. El rango de control de la temperatura es de 80°C-200°C.

12. BOTÓN DE CONTROL DEL TIEMPO DE COCINADO/MANTENER EL CALOR

Los símbolos + y - aumentan o disminuyen el tiempo de cocción/Mantener el calor (en incrementos de 1 minuto). Puede mantener pulsado el botón - para bajar el tiempo rápidamente. Rango: 1-60 minutos.

13. INDICADOR DE TEMPERATURA**14. INDICADOR DE TIEMPO****15. PANTALLA****16. INDICADOR DEL VENTILADOR**

Este indicador muestra que el ventilador está en funcionamiento.

17. INDICADOR DE CALENTADO

Este indicador permite comprobar que el elemento calefactor está en funcionamiento.

18. BOTÓN DE MANTENER EL CALOR

Pulse el botón de mantener el calor y encienda el aparato. La freidora funcionará en modo mantener el calor y el botón de mantener el calor parpadeará. El ajuste por defecto es 80°C y 60 minutos. También puede ajustar la temperatura y el tiempo de esta función utilizando el botón de control de tiempo/temperatura.

ANTES DEL PRIMER USO

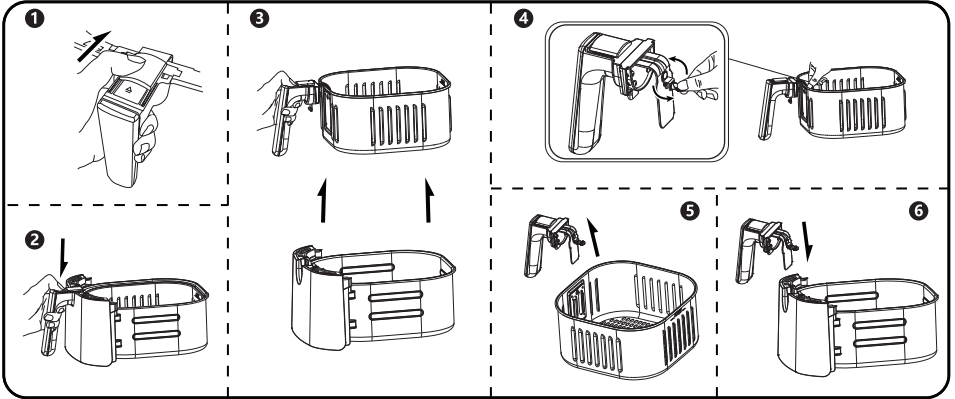
1. Saque el aparato del embalaje y retire los adhesivos y las etiquetas.
2. Lave la cesta y el recipiente de cocción con agua caliente, detergente y una esponja no abrasiva.
3. Limpie el interior y el exterior del aparato con un trapo húmedo.
4. **Atención:** Cuando se usa la freidora por primera vez, puede emitir un ligero olor, este no es peligroso y desaparecerá tras unos minutos. Esto se debe a que se le aplica un aceite protector a las piezas para evitar daños debidos a la posible fricción durante el transporte.

INSTRUCCIONES DE FUNCIONAMIENTO

1. Coloque la freidora sobre una superficie horizontal, estable y nivelada. No coloque ningún objeto sobre el aparato, ya que impedirá la circulación del aire afectando a los resultados.

2. Cuando se conecte la alimentación, la freidora emitirá un sonido. La pantalla digital se iluminará brevemente. Después, solo permanecerán iluminados el botón de encendido, el indicador WiFi y la pantalla. Esto indica que la freidora de aire está en modo de reposo.
3. Coloque la cesta dentro del recipiente y retire el recipiente de la freidora con cuidado.
4. Coloque el recipiente dentro de la freidora.

Nota: Puede instalar el asa de la cesta directamente en el recipiente para poder cocinar sin utilizar la cesta (Aflojar el tornillo del soporte del asa de la cesta para retirar el asa de la base y atornillarlo al recipiente).



Cuidado: No toque el recipiente cuando el aparato esté en marcha, estará muy caliente. Espere 30 minutos después del uso para poder tocarlo. Sujételo solamente por el mango.

5. Seleccione el tiempo de cocción deseado para los alimentos que vaya a freír (ver la sección de FUNCIONES)
6. Algunos alimentos necesitan que agite la cesta a mitad de la preparación. Para agitar los alimentos, saque el recipiente de cocción del aparato y agítelo. La freidora pausará la operación hasta que vuelva a colocar la cesta en la freidora. No deje el recipiente fuera de la freidora durante más de 15 minutos. La tecnología de aire rápido volverá a calentar el aire inmediatamente, por lo que retirar el recipiente para agitar los alimentos no interrumpirá el proceso de cocción.

Atención: No pulse el botón de desbloquear mientras agite los alimentos.

7. Cuando el temporizador emita una señal sonora, el tiempo de cocción seleccionado habrá terminado. Retire el recipiente de la freidora.
8. Compruebe que los alimentos estén preparados. Si aún no lo están, vuelva a colocar el recipiente en la freidora y seleccione unos minutos más en el temporizador.
9. Para sacar los alimentos (como las patatas fritas), pulse el botón de apertura de la cesta y sáquela del recipiente de cocción. Colóquelo en una superficie resistente al calor y vacíe los alimentos de la cesta en una bandeja o en un plato.

Atención: No vuelque el recipiente de cocción, ya que el aceite acumulado en la parte inferior caerá sobre los alimentos.

Atención: Los alimentos y el recipiente están muy calientes. Según el tipo de alimento, podría salir vapor del recipiente.

10. Cuando se termine de preparar una receta en la freidora estará lista para cocinar otra.

CONSEJOS DE USO

1. Al cocinar menos cantidades de alimentos, el tiempo de preparación ligeramente es más corto que al cocinar grandes cantidades.
2. Agitar los ingredientes más pequeños a mitad del tiempo de preparación optimiza el resultado final y puede ayudar a evitar que los ingredientes se cocinen de forma desigual.
3. Añada un poco aceite a las patatas crudas para obtener un resultado crujiente. Cocine los ingredientes en la freidora de aire pocos minutos después de añadir el aceite.
4. No cocine alimentos extremadamente grasos en la freidora de aire, como salchichas.
5. Los snacks aptos para horno también pueden prepararse en la freidora.
6. Puede cocinar snacks de masa fácil y rápidamente. La masa precocinada requiere menos tiempo de cocinado que la masa casera.
7. Coloque un recipiente para horno o un molde en la freidora si quiere hornear una tarta o quiche, o si quiere cocinar alimentos frágiles o rellenos.

RESOLUCIÓN DE PROBLEMAS

Problema	Posible Causa	Solución
La freidora de aire no funciona.	El aparato no está enchufado.	Enchufe el aparato a una toma de corriente de conexión a tierra.
Los alimentos introducidos en la freidora de aire no se	Colocó una cantidad excesiva de alimentos en la cesta.	Coloque tandas más pequeñas de alimentos en la cesta. Al cocinar tandas más pequeñas, el resultado es más uniforme.
	Seleccionó una temperatura demasiado baja.	Seleccione la temperatura necesaria presionando el botón de control de temperatura
	El tiempo de cocción seleccionado no es suficiente.	Seleccione el tiempo de operación necesario, según la receta.
Los alimentos no se han cocinado de manera uniforme.	Algunos alimentos deben agitarse durante la operación.	Aquellos alimentos que quedan cubiertos o cruzados entre sí (como las patatas fritas) deben agitarse durante la operación.
Los snacks cocinados no quedan crujientes.	Utilizó snacks elaborados para cocción en freidoras tradicionales.	Use snacks para horno o eche un poquito de aceite para obtener un resultado más crujiente.
El recipiente no entra en la freidora de aire	Hay demasiados alimentos en el recipiente	No sobrepase la marca 'MAX' de llenado.
	La cesta no está bien colocada	Introduzca la cesta en el recipiente hasta que oiga un click.
Sale humo blanco de la freidora.	Está preparando alimentos grasos.	Al freír alimentos grasos, se acumula gran cantidad de aceite en el recipiente de cocción. El aceite produce humo blanco y es posible que el recipiente se caliente más de lo habitual. Esto no perjudica a la freidora ni al resultado final.
	El recipiente de cocción aún tiene residuos de grasa del uso anterior.	El humo blanco se origina al calentarse la grasa del recipiente de cocción. Asegúrese de limpiar bien el recipiente tras cada uso
Las patatas no se cocinan uniformemente.	No ha utilizado el tipo de patata apropiada.	Utilice patatas frescas.
	No ha lavado las patatas correctamente	Lave las patatas para retirar el almidón
Las patatas fritas no están lo suficientemente crujiente	Las patatas fritas estarán más o menos crujientes según la cantidad de aceite utilizada y dependiendo de la humedad de las patatas	Asegúrese de secar bien las patatas y añadir el aceite.
		Corte las patatas en trozos más pequeños para un resultado más crujiente.
		Añada un poquito más de aceite para un resultado más crujiente.

LIMPIEZA Y MANTENIMIENTO

1. Lave el aparato tras cada uso
2. Desenchufe el aparato de la corriente eléctrica y deje que se enfríe antes de lavarlo.

Consejo: Retire el recipiente de cocción para que la freidora se enfríe más rápido.

3. Limpie el interior del aparato con un una esponja no abrasiva húmeda y con jabón suave.

Nota: No utilice utensilios metálicos ni materiales de limpieza abrasivos para limpiarlos, ya que podría dañar la capa antiadherente

Nota: Para lavar la cesta, desmonte el asa de la base. Cuando la cesta esté limpia y completamente seca, vuelva a instalar el asa en la base de la cesta y apriete el tornillo antes del siguiente uso. No puede lavar el recipiente en el lavavajillas.

4. Limpie el exterior del aparato con un paño húmedo.
5. Puede eliminar cualquier resto de suciedad con líquido desengrasante.

Consejo: En caso de que haya suciedad adherida a la cesta o a la parte inferior del recipiente de cocción, llene este último con agua caliente y detergente. Coloque la cesta en el recipiente y déjelos en remojo durante 10 minutos.

ALMACENAMIENTO

1. Deje que la freidora se enfríe por completo antes de guardarla. Asegúrese de que todas las partes están limpias y secas. Almacene la freidora en un lugar seco.
2. No coloque objetos pesados sobre la freidora, ya que podría dañarla.
3. Puede enrollar el cable eléctrico en el compartimento para el cable de la parte trasera de la freidora para facilitar el almacenamiento.

ELIMINACIÓN DEL PRODUCTO



Como vendedores responsables, nos preocupamos por el medioambiente.

Le instamos a seguir los procedimientos de un reciclaje correcto del aparato y su embalaje. Al asegurarse de depositar el aparato en un lugar autorizado, estará contribuyendo a proteger el medio ambiente y la salud humana de posibles daños que podrían ocasionarse en el caso contrario.

Recicle este aparato y su embalaje según las normas y reglas de su localidad.

Debido a los componentes electrónicos de este producto, no debe desecharse junto con los residuos domésticos no clasificados al final de su vida útil.

Para más información sobre el tratamiento y reciclaje de este producto, contacte con el punto limpio de su localidad.


Lleve este aparato a un punto de recogida especial para el reciclaje de equipos electrónicos.

Garantía: 3 años cuyo origen de defecto sea un defecto de fabricación.

WAŻNE INSTRUKCJE

DOT. BEZPIECZEŃSTWA

Podczas korzystania z urządzeń elektrycznych należy zawsze przestrzegać podstawowych zasad bezpieczeństwa, w tym:

1. Przeczytaj wszystkie instrukcje. Sprawdź czy napięcie wskazane na urządzeniu odpowiada napięciu w miejscu gdzie urządzenie będzie używane.
2. Nie dotykaj gorących powierzchni.
3. Aby zapobiec porażenia prądem, nie zanurzaj przewodu, wtyczek ani obudowy zawierającej elementy elektryczne i grzejne w wodzie ani nie umieszczaj ich pod bieżącą wodą.
4.  **UWAGA:** Urządzenie elektryczne ma funkcję nagrzewania, a jego powierzchnie mogą osiągać wysoką temperaturę. Dlatego też urządzenia należy używać z OSTROŻNOŚCIĄ. Urządzenie można dotykać tylko przy użyciu przeznaczonych do tego uchwytów lub używać ochronnych rękawic odpornych na wysokie temperatury. W przypadku dotyknięcia powierzchni innych niż powierzchnie przeznaczone do chwytania należy poczekać aż ich temperatura spadnie.
5. Przed czyszczeniem odłącz urządzenie od zasilania. Odczekaj, aż temperatura urządzenia spadnie by włożyć lub wyciągnąć części. Urządzenie potrzebuje

około 30 minut na ostygnięcie by można było je bezpiecznie przenosić lub czyścić. Aby odłączyć, ustaw dowolne pokrętko na pozycję „OFF”, a następnie wyjmij wtyczkę z gniazdka elektrycznego.

6. Jeśli przewód zasilania jest uszkodzony musi zostać wymieniony przez producenta, agenta serwisowego lub inną wykwalifikowaną osobę w celu uniknięcia niebezpieczeństwa.
7. Używanie akcesoriów, które nie są zatwierdzone przez producenta może spowodować obrażenia ciała.
8. Nie używaj urządzenia na zewnątrz.
9. Nie pozwól, aby przewód wisiał nad krawędzią stołu, blatu lub dotykał gorącej powierzchni.
10. Nie umieszczaj urządzenia na lub w pobliżu gazu, palnika elektrycznego lub gorącego piekarnika.
11. Należy zachować szczególną ostrożność podczas przenoszenia urządzenia, które zawiera gorącą żywność.
12. Nie używaj urządzenia w sposób niezgodny z jego przeznaczeniem.
13. Urządzenie to może być używane przez dzieci powyżej 8 roku życia oraz przez osoby o ograniczonych zdolnościach fizycznych, sensorycznych lub umysłowych lub nieposiadających doświadczenia oraz wiedzy w tym zakresie, jeśli zostały one objęte nadzorem i znają instrukcję dotyczące użytkowania urządzenia w

sposób bezpieczny oraz są świadomi związanych z tym zagrożeń. Dzieci nie powinny bawić się urządzeniem. Czyszczenie i konserwacja przez użytkownika nie powinna być dokonywana przez dzieci, chyba że mają one powyżej 8 lat i są pod nadzorem osoby dorosłej.

14. Trzymaj urządzenie i przewód poza zasięgiem dzieci poniżej 8 lat.
15. Urządzenie nie jest przeznaczone do obsługi za pomocą zewnętrznego timera lub oddzielnego systemu zdalnego sterowania.
16. Zawsze umieszczaj składniki do smażenia w koszu / pojemniku do smażenia i unikaj kontaktu z elementami grzewczymi.
17. Nie zakrywaj wlotu powietrza i zewnętrznych otworów powietrznych gdy urządzenie jest używane.
18. Nie napełniaj pojemnika olejem, ponieważ może to spowodować zagrożenie pożarowe.
19. Nigdy nie dotykaj wnętrza urządzenia gdy jest włączone.
20. Nie używaj urządzenia gdy uszkodzona jest wtyczka, przewód zasilania lub inne części. Osoba niewykwalifikowana w przeprowadzeniu takich procedur nie powinna naprawiać ani wymieniać głównego przewodu.
21. Nie podłączaj urządzenia do zasilania ani nie obsługuj panelu sterowania mokrymi rękami.

22. Nie umieszczaj urządzenia przy ścianie lub innych urządzeniach. Pozostaw co najmniej 10 cm wolnej przestrzeni z tyłu, po bokach oraz nad urządzeniem.
23. Nie pozostawiaj włączonego urządzenia bez nadzoru.
24. Podczas smażenia gorącym powietrzem, gorąca para uwalniana jest przez otwory wylotowe powietrza. Zachowaj bezpieczną odległość od pary i otworów wylotowych powietrza. Należy zachować szczególną ostrożność również podczas wyjmowania pojemnika z urządzenia. Powierzchnie urządzenia mogą być bardzo gorące.
25. Jeśli zauważysz, że z urządzenia wydobywa się ciemny dym natychmiast odłącz urządzenie od zasilania. Poczekaż aż dym przestanie się wydobywać z urządzenia by wyciągnąć pojemnik.
26. Jeśli urządzenie jest używane niewłaściwie lub w celach profesjonalnych lub półprofesjonalnych lub nie jest używane zgodnie z niniejszymi instrukcjami, gwarancja traci swoją ważność, a my możemy odmówić poniesienia odpowiedzialności za spowodowane szkody.
27. Urządzenie jest przeznaczone do użytku w gospodarstwach domowych oraz miejscach takich jak:
 - Kuchnie dla personelu w sklepach, biurach i innych zakładach pracy;
 - Gospodarstwach wiejskich;

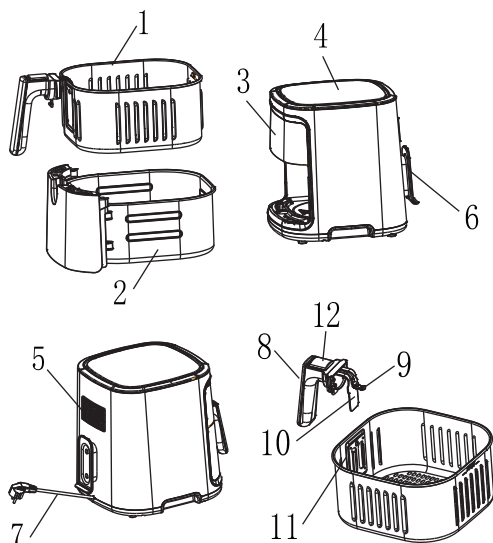
- Przez klientów w hotelach, motelach i innych miejscach o charakterze mieszkalnym;
- W miejscach typu Bed and breakfast.

SPECYFIKACJA TECHNICZNA

Nr modelu	300010XQF
Zasilanie elektryczne	220-240 V ~ 50/60 Hz
Zużycie energii	1900 W
Wymiary	DŁ 416 * SZ 318 * W 346mm
Pojemność	7L
Częstotliwość pracy	2400-2483,5 MHz
Maksymalna transmisja	21 dBm

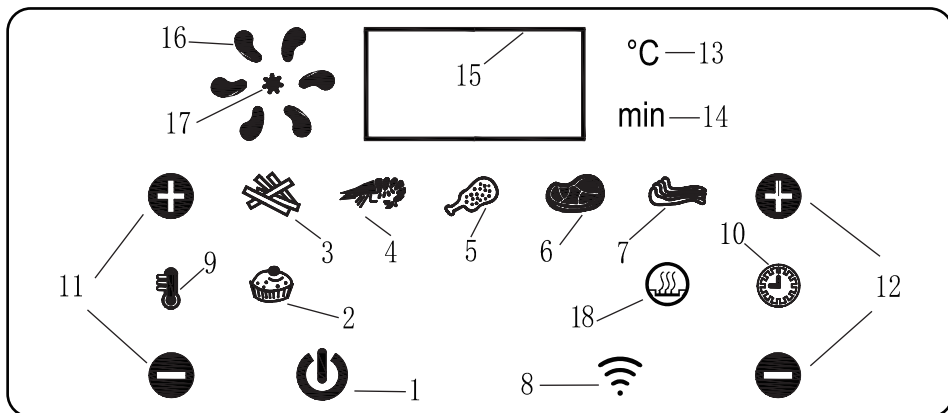
Dane techniczne i wygląd mogą ulec zmianie bez wcześniejszego powiadomienia.

OPIS PRODUKTU



1. Kosz do smażenia
2. Misa
3. Panel dotykowy
4. Pokrywka wlotu powietrza
5. Pokrywka wylotu powietrza
6. Szpulka
7. Przewód zasilający
8. Zestaw uchwyty kosza
9. Śruby
10. Ramię kosza
11. Podstawa ramienia kosza
12. Przycisk zwalniania uchwyty

GŁÓWNE FUNKCJE



1. PRZYCIISK ZASILANIA

Po podłączeniu zasilania brzęczyk wyda dźwięk "DI", wszystkie wskaźniki na krótko zaświecą się. Po tym czasie tylko przycisk zasilania pozostanie podświetlony, a na wyświetlaczu pojawi się napis "OFF". Oznacza to, że frytkownica znajduje się w trybie uśpienia.

Przełącz urządzenie w tryb gotowości: lekko dotknij przycisk zasilania. Na wyświetlaczu pokaże się domyślne ustawienie 200°C, 18 minut. Pozostałe przyciski operacyjne podświetlą się równocześnie.

Uruchom urządzenie: po ustawieniu godziny i temperatury ponownie dotknij przycisk zasilania, aby uruchomić urządzenie.

Wyłącz urządzenie: dotknij przycisku zasilania podczas smażenia, aby wyłączyć urządzenie. Frytkownica przestanie działać i powróci do trybu uśpienia.

2-7. PRZYCIISKI PRZEPISÓW

Przyciski przepisów pozwalają automatycznie określić ustawienia dla siedmiu popularnych potraw. Po wybraniu, odpowiedni przycisk przepisu zacznie migać i ustawiony zostanie domyślny czas i temperatura.

Uwaga: te ustawienia są ustawieniami domyślnymi. Ponieważ składniki mają różne pochodzenie, rozmiar, kształt i markę, nie możemy z góry ustalić najlepszego ustawienia dla wszystkich składników. Za pomocą przycisku kontroli czasu / temperatury można zwiększyć lub zmniejszyć domyślny czas i temperaturę w zależności od charakteru składników.

Elementy	Składniki	Domyślna temperatura (°C)	Domyślny czas (minuty)
2	Ciasto	160	30
3	Ziemniaki	200	22
4	Krewetki	180	15
5	Kurczak	200	22
6	Stek	180	15
7	Mięso	180	20

8.KONTROLKA WIFI**9.WSKAŹNIK REGULACJI TEMPERATURY****10.WSKAŹNIK REGULACJI CZASU****11.PRZYCISKI REGULACJI TEMPERATURY**

Symbole + i – zwiększają lub zmniejszają temperaturę gotowania / podtrzymywania ciepła za każdym razem o 10°C. Przytrzymanie przycisku spowoduje szybką zmianę temperatury. Zakres regulacji temperatury wynosi od 80°C do 200°C.

12. PRZYCISKI REGULACJI CZASU GOTOWANIA / PODTRZYMYWANIA CIEPŁA

Symbole + i – pozwalają zwiększać lub zmniejszać czas gotowania / podtrzymywania ciepła (przyrost co jedną minutę). Przytrzymanie przycisku spowoduje szybką zmianę czasu gotowania. Zakres czasu wynosi 1-60 minut.

13. WSKAŹNIK TEMPERATURY**14. WSKAŹNIK CZASU****15. WYŚWIETLACZ****16. WSKAŹNIK WENTYLATORA**

Wskazuje, że wentylator działa.

17. WSKAŹNIK PODGRZEWANIA

Wskazuje, że element grzejny działa.

18.PRZYCISK PODTRZYMYWANIA CIEPŁA

Dotknij przycisku podtrzymywania ciepła i uruchom urządzenie. Frytkownica będzie działać w trybie podtrzymywania ciepła, a przycisk podtrzymywania ciepła będzie migał. Domyślne ustawienie to 80 °C, 60 minut. Można także zmienić czas i temperaturę podtrzymywania ciepła za pomocą przycisku regulacji czasu / temperatury.

PRZED PIERWSZYM UŻYCIEM

1. Usuń wszystkie elementy opakowania.
2. Dokładnie wyczyść kosz do smażenia i misę gorącą wodą, środkiem czyszczącym i miękką gąbką.
3. Wytrzyj wnętrze i obudowę produktu wilgotną szmatką.
4. **Uwaga:** podczas pierwszego użycia frytkownica może wydzielać delikatny zapach. Zapach ten nie jest szkodliwy i zniknie po kilku minutach. Jest to normalne zjawisko w przypadku wielu urządzeń grzewczych. Nie wpływa to na bezpieczeństwo urządzenia.

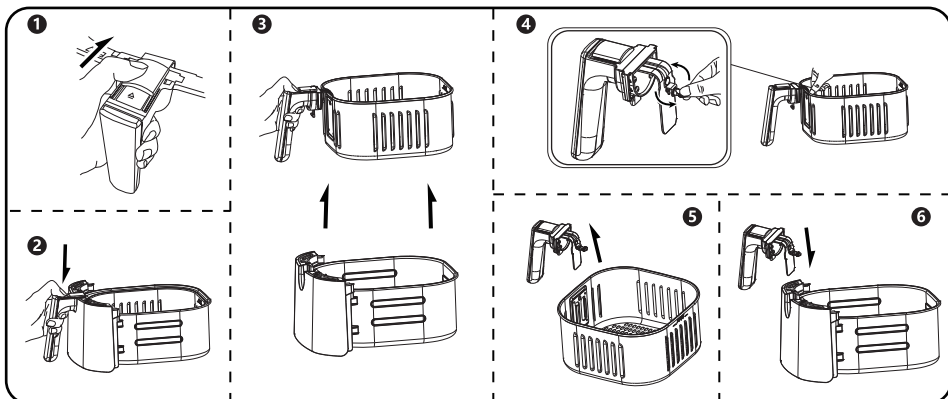
INSTRUKCJA UŻYTKOWANIA

1. Ustaw frytkownicę na stabilnej, poziomej i równej powierzchni. Nie kładź niczego na frytkownicy, ponieważ może to zakłócić to przepływ powietrza i wpłynąć na efekt pracy.
2. Po podłączeniu zasilania frytkownica wyda dźwięk DI. Cyfrowy ekran zaświeci

się na krótko. Następnie pozostaną podświetlone tylko przycisk zasilania, wskaźnik Wi-Fi i wyświetlacz. Oznacza to, że frytkownica znajduje się w trybie uśpienia.

- Umieść kosz w misie. Ostrożnie wyciągnij misę z frytkownicy. Umieść składniki w koszu.
- Wsunąć misę z powrotem do frytkownicy.

Uwaga: można również zamontować uchwyt kosza bezpośrednio do miski w celu smażenia bez użycia kosza (odkręcić śrubę na ramieniu kosza, aby odłączyć uchwyt kosza od podstawy ramienia kosza i przykręcić do miski).



Uwaga: nie dotykaj wnętrza miski frytkownicy ani kosza w ciągu 30 minut po zakończeniu użytkowania, ponieważ są bardzo gorące. Zawsze używaj załączonego uchwytu do trzymania miski.

- Określ wymagany czas gotowania i temperaturę dla smażonych składników (patrz GŁÓWNE FUNKCJE).
- Niektóre potrawy wymagają wstrząsania w połowie czasu gotowania. Aby przemieszczać jedzenie, wyjmij misę z frytkownicy za pomocą uchwytu i delikatnie nią potrząśnij. Następnie wsuń misę z powrotem do frytkownicy. Technologia rapid air pozwala natychmiast podgrzać powietrze w urządzeniu. Usunięcie miski z urządzenia podczas procesu smażenia gorącym powietrzem nie zakłóca zatem procesu gotowania.

Uwaga: nie naciskaj przycisku zwalniania uchwytu podczas wstrząsania.

- Sygnal dźwiękowy wyemitowany przez minutnik oznacza, iż upłynął ustawiony czas gotowania. Za pomocą uchwytu wyjmij misę z urządzenia.
- Sprawdź, czy jedzenie jest dokładnie ugotowane. Jeśli nie, wystarczy, że wsuniesz misę z powrotem do urządzenia i ustawisz minutnik na kilka dodatkowych minut.
- Aby wyciągnąć jedzenie (np. frytki), wysuń misę z frytkownicy i postaw ją na żaroodpornej powierzchni. Następnie naciśnij przycisk zwalnający kosz i wyjmij kosz z miski. Opróżnij kosz do miski lub na talerz.

Uwaga: nie obracaj kosza do góry nogami, gdy miska jest do niego nadal przymocowana, ponieważ nadmiar oleju z dna miski może się wylać na jedzenie.

Uwaga: miska i jedzenie będą bardzo gorące. W zależności od rodzaju potraw przyrządzanych we frytkownicy, z garnka może się wydostawać para wodna.

- Po ukończeniu pierwszej partii jedzenia frytkownica jest od razu gotowa do przygotowania kolejnej partii.

PORADY DOTYCZĄCE GOTOWANIA

1. Mniejsze ilości jedzenia wymagają zwykle nieco krótszego czasu gotowania niż większe ilości.
2. Wstrząsanie mniejszą ilością jedzenia w połowie czasu gotowania optymalizuje efekt końcowy i może pomóc uniknąć nierównomiernego wysmażenia składników.
3. Dodaj odrobinę oleju do świeżych ziemniaków, aby były bardziej chrupiące. Smaż składniki we frytkownicy kilka minut po dodaniu oleju.
4. Nie przyrządzaj we frytkownicy wyjątkowo tłustych składników, takich jak kiełbaski.
5. We frytkownicy można również przygotowywać wszelkie przekąski, które można piec w piekarniku. Użyj kupnego ciasta, aby szybko i łatwo przygotować nadziewane przekąski.
6. Kupne ciasto wymaga też krótszego czasu obróbki niż ciasto domowej roboty.
7. Umieść blachę do pieczenia lub naczynie żaroodporne w koszyku frytkownicy, jeśli chcesz upiec ciasto lub quiche albo coś usmażyć. kruc

DIAGNOZOWANIE I USUWANIE USTEREK

Problem	Prawdopodobna przyczyna	Rozwiązanie
Frytkownica nie działa.	Urządzenie nie jest podłączone do zasilania.	Podłącz wtyczkę do uzziemionego gniazdka.
Po włączeniu jedzenie pozostaje surowe.	W koszu było za dużo jedzenia.	Umieść w koszu mniejsze ilości jedzenia. Mniejsze ilości smażone są bardziej równomiernie.
	Ustawiona temperatura była zbyt niska.	Ustaw wskaźnik temperatury na pożądaną temperaturę.
	Czas gotowania był zbyt krótki.	Ustaw minutnik na pożądaný czas gotowania.
Jedzenie smaży się nierównomiernie.	Niektóre potrawy wymagają wstrząśnięcia w połowie czasu gotowania.	Składniki leżące na sobie lub stykające się (np. frytki) należy wstrząsnąć w połowie czasu gotowania.
Smażone przekąski nie są chrupiące po zakończeniu procesu.	Użyłeś przekąski, którą należy przygotować w tradycyjnej frytkownicy.	Użyj przekąsek nadających się do piekarnika lub delikatnie posmaruj je olejem, aby uzyskać chrupkość.
Nie mogę prawidłowo wsunąć misy do urządzenia.	W koszu jest za dużo jedzenia.	Nie napełniaj kosza powyżej wskaźnika „MAX” .
	Kosz jest źle zamocowany w misie.	Docisnij kosz do misy, aż usłyszysz kliknięcie.
Z urządzenia wydobywa się biały dym.	Przyrządzasz tłuste składniki.	Podczas smażenia tłustych składników w beztłuszczowej frytkownicy do misy wycieka dużo oleju. Olej tworzy biały dym, a misa może nagrzewać się bardziej niż zwykle. Nie wpływa to na pracę urządzenia ani na efekt gotowania.
	Misa zawiera pozostałości tłuszczu po poprzednim użyciu.	Biały dym powstaje w wyniku podgrzewania tłuszczu w misie. Upewnij się, że po każdym użyciu prawidłowo czyszczysz garnek.
Świeże frytki smażą się nierównomiernie.	Użyłeś nieodpowiedniego rodzaju ziemniaka.	Używaj świeżych ziemniaków i upewnij się, że podczas smażenia nie rozpadają się.
	Nie oplukałeś pokrojonych ziemniaków przed smażeniem.	Dokładniej oplucz pokrojone ziemniaki, aby usunąć z ich powierzchni skrobię.
Świeże frytki nie są chrupiące po zakończeniu procesu.	Chrupkość frytek zależy od ilości oleju i wody w frytkach.	Zanim dodasz olej, upewnij się, że pokrojone ziemniaki są suche.
		Pokrój ziemniaki na mniejsze kawałki, aby były bardziej chrupiące.
		Dodaj nieco więcej oleju, aby uzyskać większą chrupkość.

CZYSZCZENIE I KONSERWACJA

1. Wyczyść urządzenie po każdym użyciu.
2. Wyjmij wtyczkę z gniazdka i poczekaj, aż urządzenie ostygnie przed rozpoczęciem czyszczenia.

Wskazówka: wyjmij misę z frytkownicy, aby szybciej ostygła.

3. Wyczyść misę i kosz gorącą wodą, płynem do mycia naczyń i miękką gąbką.

Uwaga: do czyszczenia misy i kosza nie używaj metalowych przyborów kuchennych ani ściernych środków czyszczących, ponieważ może to uszkodzić nieprzywierającą powłokę.

Uwaga: jeśli chcesz wyczyścić kosz w zmywarce, najpierw odłącz element uchwyty od podstawy ramienia kosza. Po wyczyszczeniu kosza i jego całkowitym wyschnięciu ponownie zamontuj zestaw uchwyty na podstawie ramienia kosza przed dokręceniem śruby do następnego użycia. Misy nie można myć w zmywarce do naczyń.

4. Przetrzyj obudowę urządzenia wilgotną ściereczką.
5. Możesz użyć środka usuwającego tłuszcz, aby usunąć wszelkie pozostałe zabrudzenia.

Wskazówka: jeśli brud przywarł do kosza lub do dna misy, napełnij misę gorącą wodą z dodatkiem płynu do mycia naczyń. Umieść kosz w misie i pozostaw do namoczenia przez około 10 minut.

PRZECHOWYWANIE

1. Odłącz urządzenie od zasilania i pozwól mu całkowicie ostygnąć, zanim je schowasz. Upewnij się, że wszystkie części są czyste i suche. Przechowuj frytkownicę w suchym miejscu.
2. Podczas przechowywania nie kładź żadnych ciężkich przedmiotów na frytkownicy, ponieważ może to spowodować jej uszkodzenie.
3. Przewód zasilający można owinąć na szpulce z tyłu frytkownicy, aby ułatwić przechowywanie.

UTYLIZACJA



Jako odpowiedzialny sprzedawca dbamy o środowisko. W związku z tym nalegamy, aby postępować zgodnie z procedurą odpowiedzialnej utylizacji urządzenia i opakowania. Pomoże to w oszczędności zasobów naturalnych i zagwarantuje, że urządzenie oraz opakowanie zostanie poddane recyklingowi w sposób bezpieczny dla zdrowia i środowiska.

Wyrzuć urządzenie i jego opakowanie zgodnie z lokalnymi przepisami. Ze względu na to, że urządzenie zawiera elementy elektroniczne, urządzenie i jego akcesoria należy utylizować osobno od odpadów pochodzących z gospodarstwa domowego gdy żywotność urządzenia dobiegnie końca.


Skontaktuj się z lokalnymi władzami, aby dowiedzieć się więcej o utylizacji i recyklingu w twoim regionie.

Urządzenie należy oddać do lokalnego punktu odbioru odpadów w celu recyklingu. Niektóre punkty odbioru przyjmują urządzenia bez żadnych opłat.

GWARANCJA: 2 LATA

IMPORTANTI MISURE DI SICUREZZA

Quando si utilizzano apparecchi elettrici, è necessario seguire sempre le misure di sicurezza di base, tra cui:

1. Leggi tutte le istruzioni. Verificare che la tensione indicata sull'apparecchio corrisponda alla tensione di rete locale.
2. Non toccare le superfici calde.
3. Per evitare scosse elettriche, non immergere il cavo, la spina o l'alloggiamento che contiene componenti elettrici ed elementi riscaldanti in acqua o sciacquarli sotto il rubinetto.
4.  **ATTENZIONE:** Questo apparecchio elettrico contiene una funzione di riscaldamento. Anche le superfici diverse da quelle funzionali possono raggiungere temperature elevate. Poiché le temperature sono percepite in modo diverso da persone diverse, questa apparecchiatura deve essere utilizzata con **ATTENZIONE**. Utilizzare solo le impugnature e le superfici di presa previste a tale scopo per toccare l'apparecchiatura e utilizzare una protezione termica come i guanti. Le superfici diverse dalle superfici di presa previste devono avere il tempo sufficiente per raffreddarsi prima di essere toccate.
5. Scollegare l'apparecchio dalla presa a muro quando non viene utilizzato e prima di pulirlo. Lasciarlo raffreddare prima di fissare

o staccare le parti. L'apparecchio ha bisogno di circa 30 minuti per raffreddarsi, per essere maneggiato o pulito in sicurezza. Per disconnettersi, portare qualsiasi controllo su "OFF", quindi rimuovere la spina dalla presa a muro.

6. Se il cavo di alimentazione è danneggiato, deve essere sostituito dal produttore, dal suo agente di servizio o da persone analogamente qualificate per evitare pericoli.
7. L'uso di accessori non è raccomandato dal produttore dell'apparecchio e può causare lesioni.
8. Non utilizzare l'apparecchio all'aperto.
9. Non lasciare che il cavo penda dal bordo del tavolo o del bancone o tocchi superfici calde.
10. Non collocare l'apparecchio sopra o vicino a un fornello a gas caldo o elettrico o in un forno riscaldato.
11. Prestare la massima attenzione quando si sposta un apparecchio contenente alimenti caldi.
12. Non utilizzare l'apparecchio in un modo diverso da quello previsto.
13. Questo apparecchio può essere utilizzato da bambini di età pari o superiore a 8 anni e persone con capacità fisiche, sensoriali o mentali ridotte o mancanza di esperienza e conoscenza se sono sorvegliati e hanno

ricevuto istruzioni su come usarlo in sicurezza e ne comprendono i pericoli coinvolti. I bambini non devono giocare con l'apparecchio. I bambini non devono pulire o eseguire la manutenzione dell'utente a meno che non abbiano più di 8 anni e siano sorvegliati.

14. Tenere l'apparecchio e il cavo fuori dalla portata dei bambini di età inferiore a 8 anni.
15. Gli apparecchi non sono progettati per essere azionati mediante un timer esterno o un sistema di controllo remoto separato.
16. Fare attenzione ad inserire gli ingredienti da friggere nel cestello/pentola ed evitare che il cibo venga a contatto con gli elementi riscaldanti.
17. Non coprire l'ingresso e le aperture esterne dell'aria mentre l'apparecchio è in funzione.
18. Non riempire la pentola con olio in quanto ciò potrebbe causare un incendio.
19. Non toccare mai l'interno dell'apparecchio mentre è in funzione.
20. Non utilizzare l'apparecchio in caso di danni alla spina, al cavo di alimentazione o ad altre parti. Non far riparare o sostituire il cavo principale da persone non autorizzate a eseguire tali procedure.
21. Non collegare l'apparecchio o utilizzare il pannello di controllo con le mani bagnate.
22. Non posizionare l'apparecchio contro una parete o contro altri apparecchi. Lasciare

almeno 10 cm di spazio libero sul retro, sui lati e sopra l'apparecchio.

23. Non lasciare l'apparecchio incustodito durante il funzionamento.
24. Durante la frittura ad aria calda, il vapore caldo viene rilasciato attraverso le aperture di uscita dell'aria. Tenere le mani e il viso a una distanza di sicurezza dal vapore e dalle aperture di uscita dell'aria. Fare anche attenzione al vapore caldo e all'aria quando si rimuove la pentola dall'apparecchio. Qualsiasi superficie accessibile può surriscaldarsi durante l'uso.
25. Scollegare immediatamente l'apparecchio se si vede fumo scuro proveniente da esso. Attendere che smetta di fumare prima di rimuovere la pentola dall'apparecchio.
26. Se l'apparecchio viene utilizzato in modo improprio o per scopi professionali o semi-professionali o non viene utilizzato secondo le istruzioni nel manuale dell'utente, la garanzia decade e potremmo rifiutare qualsiasi responsabilità per danni causati.
27. Questo apparecchio è destinato all'uso in applicazioni domestiche e simili, come ad esempio:
 - Cucine del personale in negozi, uffici e altri ambienti di lavoro;
 - Agriturismi;
 - Dai clienti in hotel, motel e altri ambienti di tipo residenziale;

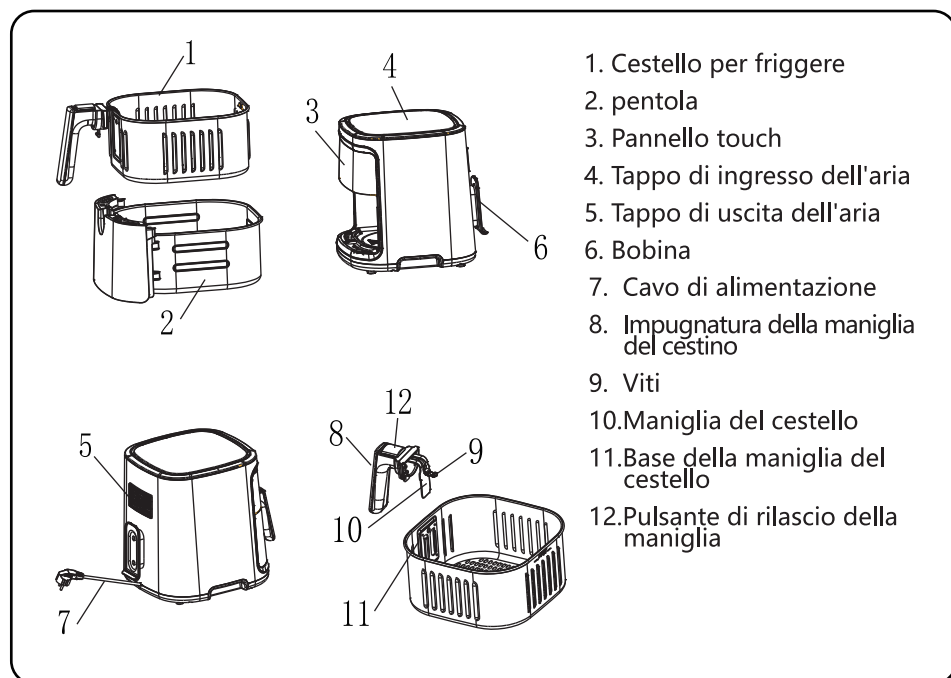
- Ambienti di tipo bed and breakfast.

SPECIFICHE TECNICHE

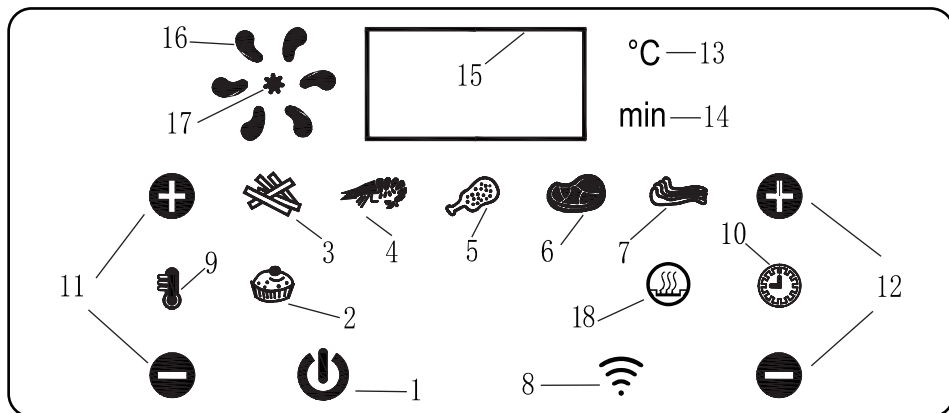
Modello No.	300010XQF
Alimentazione elettrica	220-240V ~ 50/60Hz
Consumo di energia	1900W
Dimensioni	L416*W318*H346mm
Capacità	7L
Frequenza di funzionamento	2400-2483,5 MHz
Potenza di trasmissione massima	21 dBm

Le caratteristiche tecniche e il design sono soggetti a modifiche senza preavviso.

PANORAMICA DEL PRODOTTO



FUNZIONI DEI PULSANTI



1. TASTO DI ACCENSIONE

Una volta collegata l'alimentazione, il buzzer emetterà un segnale acustico e tutte le spie si illumineranno brevemente per poi spegnersi. Dopodiché, solo il tasto di accensione rimarrà illuminato e il display visualizzerà "OFF" ad indicare che la friggitrice ad aria è in modalità stand-by.

Mettere l'apparecchio in modalità standby (sospensione): Tocca leggermente il pulsante di accensione. Il display mostrerà l'impostazione predefinita di 200 °C, 18 minuti. Gli altri pulsanti operativi si illumineranno contemporaneamente.

Avviare il dispositivo: Dopo aver impostato l'ora e la temperatura, toccare nuovamente il pulsante di accensione per avviare il dispositivo.

Spegnere il dispositivo: Toccare il pulsante di accensione durante la cottura per spegnere l'apparecchio. La friggitrice smetterà di funzionare e tornerà in modalità di sospensione.

2-7. TASTO RICETTA

Il pulsante ricetta consente di impostare automaticamente le condizioni di cottura per sette scelte alimentari più comuni. Una volta selezionato, il pulsante della ricetta corrispondente lampeggerà e la friggitrice verrà impostata sull'ora e sulla temperatura predefinite.

Nota: queste impostazioni sono le impostazioni predefinite. Poiché gli ingredienti differiscono per origine, dimensioni, forma e marchio, non possiamo predeterminare l'impostazione migliore per tutti gli ingredienti. Puoi aumentare o diminuire il tempo e la temperatura predefiniti in base alla caratteristica dei tuoi ingredienti usando il pulsante di controllo tempo / temperatura.

Elementi	Ingredienti	Temperatura predefinita (°C)	Tempo predefinito (minutes)
2	Torte	160	30
3	Patate	200	22
4	Gamberetti	180	15
5	Pollo	200	22
6	Bistecca	180	15
7	Carne	180	20

8. INDICATORE WI-FI**9. INDICATORE DI CONTROLLO DELLA TEMPERATURA****10. INDICATORE DI CONTROLLO DEL TEMPO****11. PULSANTI DI CONTROLLO DELLA TEMPERATURE**

I simboli + e - aumentano o diminuiscono la temperatura di cottura / mantenimento in caldo di 10 °C ogni volta. Tenendo premuto il pulsante si cambia rapidamente la temperatura. Il controllo della temperatura varia da 80 °C a 200 °C.

12. PULSANTI DI CONTROLLO TIMER COTTURA / MANTENIMENTO IN CALDO

I simboli + e - consentono di aumentare o diminuire il tempo di cottura / mantenimento in caldo (con incrementi di un minuto). Tenendo premuto il pulsante si cambia rapidamente il tempo di cottura. L'intervallo di temporizzazione è 1-60 minuti.

13. INDICATORE DI TEMPERATURA**14. INDICATORE DEL TEMPO****15. DISPLAY****16. INDICATORE DELLA VENTOLA**

Questo indica che la ventola funziona.

17. INDICATORE DI RISCALDAMENTO

Ciò indica che l'elemento riscaldante funziona.

18. TASTO DI MANTENIMENTO IN CALDO

Tocca il pulsante Mantieni in caldo e avvia il dispositivo. La friggitrice funzionerà in modalità mantenimento in caldo e il pulsante di mantenimento in caldo lampeggerà. L'impostazione predefinita è 80 ° C, 60 minuti. È inoltre possibile regolare il tempo e la temperatura di mantenimento in caldo utilizzando il pulsante di controllo tempo / temperatura.

PRIMA DEL PRIMO UTILIZZO

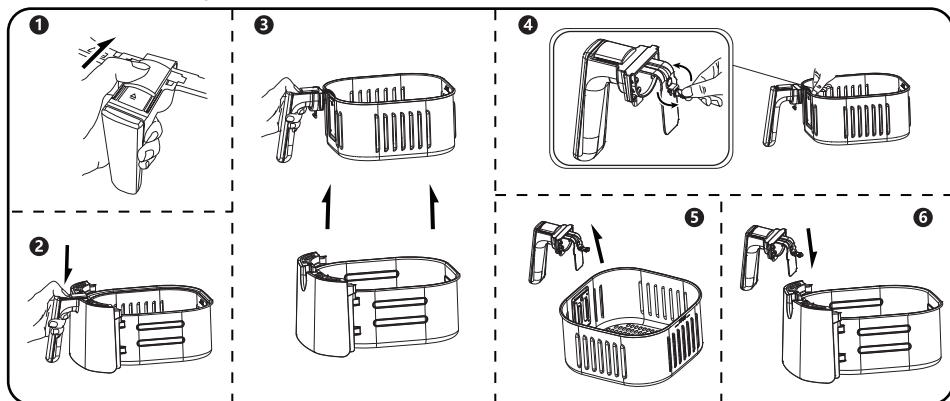
1. Rimuovere tutti i materiali di imballaggio.
2. Pulire accuratamente il cestello e la pentola con acqua calda, detergente e una spugna non abrasiva.
3. Pulire l'interno e l'esterno del prodotto con un panno umido.
4. **Avvertenza:** al primo utilizzo, la friggitrice ad aria può emettere un leggero odore. Questo odore non è dannoso e scompare dopo pochi minuti. Questo è normale con molti apparecchi di riscaldamento. Non influisce sulla sicurezza dell'apparecchio.

ISTRUZIONI PER L'USO

1. Posizionare la friggitrice su una superficie stabile, orizzontale e uniforme. Non appoggiare nulla sulla friggitrice perché potrebbe interrompere il flusso d'aria e influire sui risultati.

- Quando l'alimentazione è collegata, la friggitrice ad aria emetterà un suono e lo schermo digitale si illuminerà brevemente. Dopodiché, rimarranno accesi solo il pulsante di accensione, l'indicatore Wi-Fi e il display. Ciò indica che la friggitrice ad aria è in modalità stand-by.
- Mettere il cestello nella pentola. Estrarre delicatamente la pentola della friggitrice ad aria. Mettere gli ingredienti nel cestino.
- Reinserire la pentola nella friggitrice ad aria.

Nota: è anche possibile montare la maniglia del cestello direttamente nella pentola per friggere senza l'uso del cestello (svitare la vite sul braccio del cestello per staccare la maniglia del cestello dalla base del braccio del cestello e avvitarla nella pentola.)



Attenzione: Non toccare l'interno della pentola della friggitrice o il cestello entro 30 minuti dall'uso poiché diventano molto caldi. Utilizzare sempre la maniglia fornita per tenere la pentola.

- Determinare il tempo e la temperatura di cottura richiesti per gli ingredienti da friggere (vedere FUNZIONI DEI TASTI).
- Alcuni alimenti devono essere girati a metà del tempo di cottura. Per girare il cibo, rimuovere la pentola dalla friggitrice usando la maniglia e scuoterla delicatamente. Quindi, far scorrere la pentola nella friggitrice. La tecnologia ad aria rapida può riscaldare istantaneamente l'aria all'interno dell'apparecchio. Pertanto, rimuovere la pentola dal dispositivo durante il processo di cottura ad aria calda non compromette il processo di cottura.

Attenzione: Non premere il pulsante di rilascio della maniglia durante l'agitazione.

- Quando il tempo di cottura impostato verrà raggiunto, verrà emesso un segnale acustico. Utilizzare la maniglia per rimuovere la pentola dall'apparecchio.
- Controlla se il cibo è ben cotto. In caso contrario, reinserire semplicemente la pentola nell'apparecchio e impostare il timer per alcuni minuti aggiuntivi.
- Per rimuovere il cibo (ad es. patatine fritte), estrarre la pentola dalla friggitrice ad aria calda e posizionarla su una superficie resistente al calore. Quindi, premi il pulsante di rilascio del cestello e solleva il cestello dalla pentola. Svuota il cestino in una ciotola o su un piatto.

Attenzione: Non capovolgere il cestello con la pentola ancora attaccata ad esso, poiché l'eventuale olio in eccesso che si è raccolto sul fondo della pentola colerà sul cibo.

Attenzione: La pentola e il cibo saranno molto caldi. A seconda del tipo di cibo che hai cucinato nella friggitrice, il vapore può fuoriuscire dalla pentola.

- Una volta terminata la prima cottura, la friggitrice ad aria calda è immediatamente pronta per eseguire una nuova cottura

SUGGERIMENTI PER LA COTTURA

1. Piccole quantità di cibo in genere richiedono un tempo di cottura leggermente più breve rispetto a volumi più grandi.
2. Mescolare piccole quantità di cibo a metà del tempo di cottura ottimizza il risultato finale e può aiutare a prevenire ingredienti fritti in modo non uniforme.
3. Aggiungi un po' d'olio alle patate fresche per ottenere un risultato croccante. Friggi i tuoi ingredienti nella friggitrice pochi minuti dopo aver aggiunto l'olio.
4. Non cucinare ingredienti estremamente grassi, come salsicce, nella friggitrice.
5. Eventuali snack che possono essere cotti in un forno possono anche essere cotti nella friggitrice.
6. Usa un impasto precotto per cucinare spuntini ripieni rapidamente e facilmente. L'impasto precotto richiede anche un tempo di cottura più breve rispetto all'impasto fatto in casa.
7. Metti una teglia da forno nel cestello della friggitrice ad aria calda se vuoi cuocere una torta o una quiche o se vuoi friggere fragile or filled ingredients.

RISOLUZIONE DEI PROBLEMI

Problema	Possibile causa	Soluzione
La friggitrice non funziona.	L'apparecchio non è collegato.	Inserire la spina di alimentazione in una presa a muro con messa a terra.
Il cibo non viene cotto dopo l'operazione.	C'era troppo cibo nel cestello.	Metti piccole quantità di cibo nel cestello. Piccole quantità vengono fritte in modo più uniforme.
	La temperatura impostata era troppo bassa.	Impostare il tasto della temperatura sull'impostazione della temperatura appropriata.
	Il tempo di cottura era troppo breve.	Impostare il timer sul tempo di cottura richiesto.
Il cibo si è fritto in modo non uniforme nella friggitrice.	Alcuni tipi di alimenti devono essere girati a metà del tempo di cottura.	Gli ingredienti che si trovano uno sopra l'altro (ad es. Patatine fritte) devono essere agitati a metà del tempo di cottura.
Gli spuntini fritti non sono croccanti quando escono dalla friggitrice.	Hai usato un tipo di spuntino che dovrebbe essere cucinato in una friggitrice tradizionale.	Usa degli snack da forno o spazzola leggermente un po' d'olio sugli snack per un risultato più dorato.
Non riesco a far scorrere correttamente la pentola nell'apparecchio.	C'è troppo cibo nel cestino.	Non riempire il carrello oltre l'indicatore "MAX".
	Il cestino non è posizionato correttamente nella pentola.	Spingi il cestino verso il basso nella pentola fino a quando senti un clic.
Dall'apparecchio emette fumo bianco.	Stai cucinando ingredienti grassi.	Quando friggi gli ingredienti grassi nella friggitrice ad aria calda, una grande quantità di olio colerà nella pentola. L'olio produce fumo bianco e la pentola potrebbe scaldarsi più del solito. Ciò non influisce sull'apparecchio o sul risultato di fine cottura.
	La pentola contiene grasso residuo dell'uso precedente.	Il fumo bianco è causato dal riscaldamento del grasso nella pentola. Assicurati di pulire correttamente la pentola dopo ogni utilizzo.
Le frittelle fresche vengono fritte in modo non uniforme nella friggitrice ad aria calda.	Non hai usato il giusto tipo di patata.	Usa patate fresche e assicurati che rimangano salde durante la frittura.
	Non hai risciacquato correttamente i bastoncini di patate prima di friggerli.	Risciacquare correttamente i bastoncini di patate per rimuovere l'amido dall'esterno dei bastoncini.
Le patatine fresche non sono croccanti quando escono dalla friggitrice ad aria calda.	La croccantezza delle patatine dipende dalla quantità di olio e acqua nelle patatine.	Assicurati di asciugare correttamente i bastoncini di patate prima di aggiungere l'olio.
		Tagliare bastoncini di patate più piccoli per un risultato più dorato.
		Aggiungi un po' più di olio per un risultato più croccante.

PULIZIA E MANUTENZIONE

1. Pulire l'apparecchio dopo ogni utilizzo.
2. Rimuovere la spina dalla presa a muro e attendere che l'apparecchio si raffreddi prima di pulirlo.

Suggerimento: Rimuovere la pentola dall'apparecchio per aiutare la friggitrice ad aria calda a raffreddarsi più rapidamente.

3. Pulire la pentola e il cestello con acqua calda, un po' di detersivo per piatti e una spugna non abrasiva.

Nota: non utilizzare utensili da cucina in metallo o materiali abrasivi per pulire la pentola e il cestello per friggere poiché ciò potrebbe danneggiare il rivestimento antiaderente.

Nota: se si desidera pulire il cestello in lavastoviglie, staccare innanzitutto il componente della maniglia dalla base del braccio del cestello. Dopo che il cestello è stato pulito e completamente asciutto, reinstallare il gruppo impugnatura sulla base del braccio del cestino prima di serrare la vite per il prossimo utilizzo. La pentola non può essere lavata in lavastoviglie.

4. Pulire l'esterno dell'apparecchio con un panno umido.
5. È possibile utilizzare liquido sgrassante per rimuovere lo sporco residuo.

Suggerimento: Se lo sporco è rimasto attaccato sul cestello o sul fondo della pentola, riempire la pentola con acqua calda con un po' di detersivo per piatti. Metti il cestino nella pentola e lascialo in ammollo per circa 10 minuti.

CONSERVAZIONE

1. Scollegare l'apparecchio e lasciarlo raffreddare completamente prima di riporlo. Assicurarsi che tutte le parti siano pulite e asciutte.

Conservare la friggitrice ad aria calda in un luogo asciutto.

2. Non collocare oggetti pesanti sopra la friggitrice ad aria calda durante lo stoccaggio per non danneggiarla.
3. Il cavo di alimentazione può essere avvolto sulla bobina sul retro della friggitrice per riporlo facilmente.

SMALTIMENTO



Come rivenditori responsabili, ci preoccupiamo per l'ambiente. Pertanto, ti invitiamo a seguire le corrette procedure di smaltimento per l'apparecchio e i suoi materiali di imballaggio. Ciò contribuirà a conservare le risorse naturali e garantire che questi articoli vengano riciclati in modo da proteggere la salute e l'ambiente.

È necessario smaltire l'apparecchio e la sua confezione secondo le leggi e le normative locali.

Poiché questo apparecchio contiene componenti elettronici, esso e i suoi accessori devono essere smaltiti separatamente dai rifiuti domestici quando l'apparecchio ha raggiunto la fine della sua vita utile.

Contattare le autorità locali per conoscere le opzioni di smaltimento e riciclaggio.

L'apparecchio deve essere portato al centro di riciclaggio locale. Alcuni punti di raccolta accettano apparecchi gratuitamente.

WICHTIGE SICHERHEITSHINWEISE

Bei der Verwendung von Elektrogeräten sind stets die grundlegenden Sicherheitsvorkehrungen zu beachten, einschließlich der folgenden:

1. Lesen Sie alle Anweisungen. Überprüfen Sie, ob die auf dem Gerät angegebene Spannung mit der örtlichen Netzspannung übereinstimmt.
2. Berühren Sie keine heißen Oberflächen.
3. Zum Schutz vor Stromschlag tauchen Sie keine Kabel, Stecker oder das Gehäuse, das elektrische Komponenten und Heizelemente enthält, in Wasser oder spülen Sie sie nicht unter dem Wasserhahn aus.
4.  **WARNUNG:** Dieses elektrische Gerät enthält eine Heizfunktion. Auch andere Oberflächen als die Funktionsflächen können hohe Temperaturen erreichen. Da die Temperaturen von verschiedenen Personen unterschiedlich wahrgenommen werden, muss dieses Gerät mit Vorsicht verwendet werden. Verwenden Sie nur die dafür vorgesehenen Griffe und Griffflächen, um das Gerät zu berühren, und verwenden Sie Hitzeschutz wie Handschuhe. Nicht zum Anfassen vorgesehene Oberflächen müssen ausreichend Zeit zum Abkühlen haben, bevor sie berührt werden dürfen.
5. Ziehen Sie bei Nichtgebrauch und vor der Reinigung den Netzstecker aus der Steckdose. Lassen Sie das Gerät abkühlen,

bevor Sie Teile anbringen oder wegnehmen. Es benötigt ca. 30 Minuten zum Abkühlen, um gefahrenfrei berührt oder gereinigt zu werden. Um die Stromverbindung zu unterbrechen, drehen Sie einen beliebigen Regler auf "AUS" und ziehen Sie dann den Stecker aus der Steckdose.

6. Ist das Netzkabel beschädigt, muss es vom Hersteller, seinem Servicepartner oder ähnlich qualifizierten Personen ausgetauscht werden, um Gefahren zu vermeiden.
7. Die Verwendung von Zubehörteilen wird vom Gerätehersteller nicht empfohlen und kann zu Verletzungen führen.
8. Verwenden Sie das Gerät nicht im Freien.
9. Lassen Sie das Kabel nicht über den Rand des Tisches oder der Theke hängen und berühren Sie keine heißen Oberflächen.
10. Stellen Sie das Gerät weder auf einen Heißgas- oder Elektrobrenner noch in dessen Nähe und auch nicht in einen beheizten Ofen.
11. Beim Transport eines Gerätes, das heiße Lebensmittel enthält, ist äußerste Vorsicht geboten.
12. Verwenden Sie das Gerät nur für den bestimmungsgemäßen Gebrauch.
13. Dieses Gerät kann von Kindern ab 8 Jahren und Personen mit eingeschränkten körperlichen, sensorischen oder geistigen Fähigkeiten oder mangelnden Erfahrungen und Kenntnissen verwendet werden, wenn sie beaufsichtigt werden und Anweisungen zur

sicheren Handhabung und zum Verständnis der damit verbundenen Gefahren erhalten haben. Kinder dürfen nicht mit dem Gerät spielen. Kinder sollten keine Reinigung oder Wartung durchführen, es sei denn, sie sind älter als 8 Jahre und unter Aufsicht.

14. Bewahren Sie das Gerät und das Kabel außerhalb der Reichweite von Kindern unter 8 Jahren auf.
15. Die Geräte sind nicht für die Bedienung mit einem externen Timer oder einer separaten Fernbedienung vorgesehen.
16. Legen Sie die zu frittierenden Zutaten immer in den Frittierkorb/Topf und verhindern Sie, dass dieser mit den Heizelementen in Berührung kommt.
17. Decken Sie die Lufteinlass- und Luftaußenöffnungen nicht ab, während das Gerät in Betrieb ist.
18. Füllen Sie den Topf nicht mit Öl, da dies eine Brandgefahr darstellen kann.
19. Berühren Sie niemals das Innere des Gerätes, während es in Betrieb ist.
20. Verwenden Sie das Gerät nicht, wenn der Stecker, das Netzkabel oder andere Teile beschädigt sind. Lassen Sie das Netzkabel nicht von einer nicht autorisierten Person reparieren oder ersetzen.
21. Mit nassen Händen weder das Gerät anschließen noch das Bedienfeld bedienen.
22. Stellen Sie das Gerät nicht an eine Wand oder an andere Geräte.

Lassen Sie auf der Rückseite und an den Seiten sowie über dem Gerät mindestens 10 cm Freiraum.

23. Lassen Sie das Gerät während des Betriebs nicht unbeaufsichtigt.
24. Beim Heißluftfrittieren wird heißer Dampf durch die Luftauslassöffnungen abgegeben. Halten Sie Hände und Gesicht in einem sicheren Abstand vom Dampf und von den Luftauslassöffnungen. Achten Sie auch auf heißen Dampf und Luft, wenn Sie den Topf aus dem Gerät nehmen. Alle zugänglichen Oberflächen können während des Gebrauchs heiß werden.
25. Ziehen Sie sofort den Netzstecker, wenn dunkler Rauch aus dem Gerät kommt. Warten Sie, bis das Rauchen aufhört, bevor Sie den Topf aus dem Gerät nehmen.
26. Wird das Gerät unsachgemäß oder für berufliche oder semiprofessionelle Zwecke verwendet oder nicht gemäß den Anweisungen in der Bedienungsanleitung verwendet, erlischt die Garantie und wir können jegliche Haftung für verursachte Schäden ablehnen.
27. Dieses Gerät ist für den Einsatz im Haushalt und ähnliche Anwendungen vorgesehen, wie z.B.:
 - Personalküchenbereiche in Geschäften, Büros und anderen Arbeitsumgebungen;
 - Bauernhäuser;
 - Von Kunden in Hotels, Motels und anderen

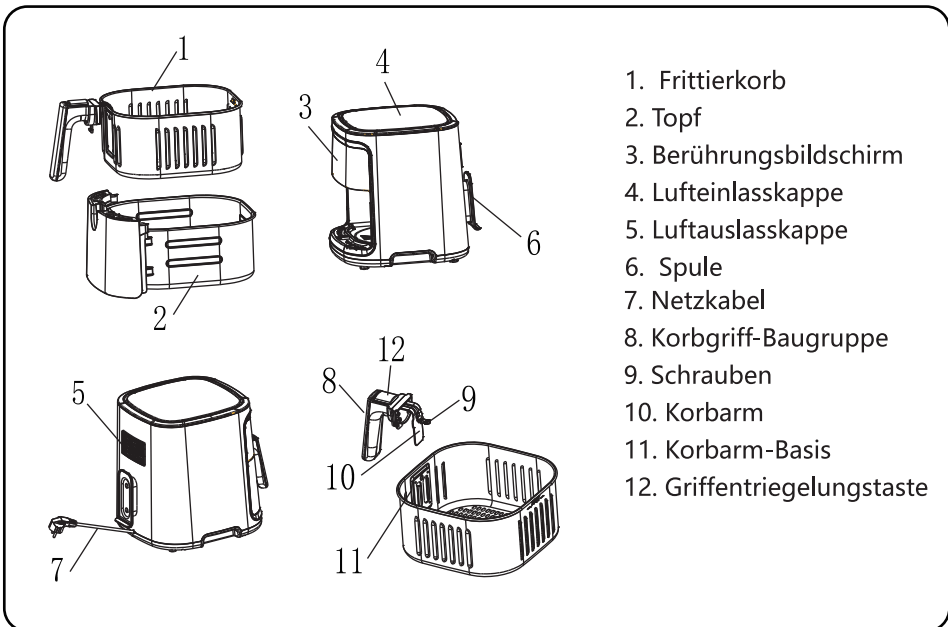
Wohngebieten;
- Bed and breakfast Umgebungen.

TECHNISCHE SPEZIFIKATIONEN

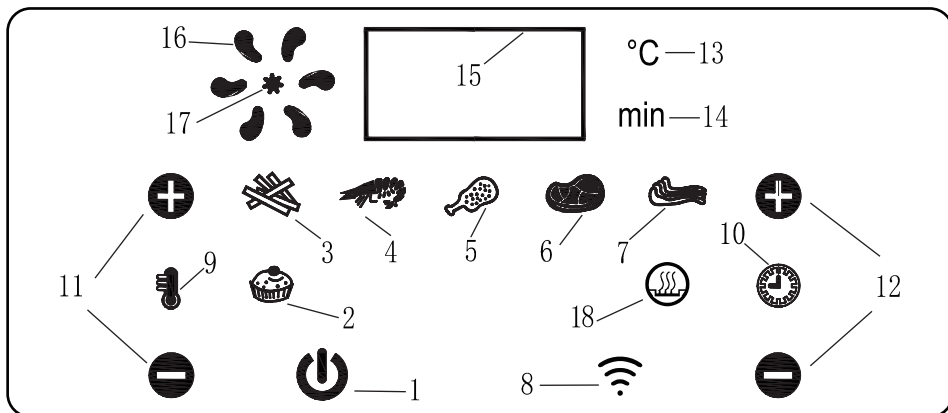
Modell Nr.	300010XQF
Stromversorgung	220-240V ~ 50/60Hz
Leistungsaufnahme	1900W
Abmessungen	L416*W318*H346mm
Kapazität	7L
Betriebsfrequenz	2400-2483,5 MHz
Maximal übertragen	21 dBm

Spezifikationen und Design können ohne vorherige Ankündigung geändert werden.

PRODUKTÜBERSICHT



SCHLÜSSELFUNKTIONEN



1. EIN/AUS-SCHALTER

Sobald die Stromversorgung angeschlossen ist, ertönt ein „DI“-Ton und alle Anzeigen leuchten kurz auf. Danach leuchtet nur noch die Einschalttaste und auf dem Display erscheint „OFF“. Dies zeigt an, dass sich die Fritteuse im Schlafmodus befindet.

Versetzen Sie das Gerät in den Standby-Modus: Berühren Sie leicht die Einschalttaste. Das Display zeigt die Standardeinstellung von 200°C, 18 Minuten. Die anderen Bedientasten werden gleichzeitig beleuchtet.

Starten Sie das Gerät: Nachdem Sie die Zeit und Temperatur eingestellt haben, berühren Sie erneut den Netzschalter, um das Gerät zu starten.

Schalten Sie das Gerät aus: Drücken Sie während des Frittiervorgangs den Netzschalter, um das Gerät auszuschalten. Das Frittiervorgang hört auf zu arbeiten und kehrt in den Schlafmodus zurück.

2-7. REZEPT-TASTE

Mit der Schaltfläche "Rezept" können Sie die Kochbedingungen für sieben beliebige Nahrungsmittel automatisch einstellen. Nach der Auswahl blinkt die entsprechende Rezeptschaltfläche und die Fritteuse wird auf die Standardzeit und -temperatur eingestellt.

Hinweis: Diese Einstellungen sind die Standardeinstellungen. Da sich die Nahrungsmittel in Herkunft, Größe, Form und Marke unterschiedlich, können wir nicht für alle Nahrungsmittel die beste Einstellung vorgeben. Sie können die Standardzeit und Temperatur je nach Art Ihrer Nahrungsmittel mit Hilfe der Zeit-/Temperatur-Steuertaste erhöhen oder verringern.

Punkte	Nahrungsmittel	Standard-Temperatur (°C)	Vorgabezeit (Minuten)
2	Kuchen	160	30
3	Kartoffeln	200	22
4	Garnelen	180	15
5	Huhn	200	22
6	Steak	180	15
7	Fleisch	180	20

8. WLAN-ANZEIGE**9. INDIKATOR FÜR TEMPERATURKONTROLLE****10. INDIKATOR FÜR ZEITSTEUERUNG****11. TASTEN ZUR TEMPERATURREGELUNG**

Die Symbole + und - erhöhen bzw. verringern die Koch-/Warmhaltetemperatur jedes Mal um 10°C. Wenn Sie die Taste gedrückt halten, ändert sich die Temperatur ständig. Der Temperaturregelbereich liegt zwischen 80 und 200 ° C

12. STEUERTASTEN FÜR KOCH-/WARMHALTETIMER

Mit den Symbolen + und - können Sie die Koch-/Warmhaltezeit (in Schritten von einer Minute) erhöhen oder verringern. Wenn Sie die Taste gedrückt halten, wird Kochzeit schnell geändert. Der Zeitbereich beträgt 1-60 Minuten.

13. TEMPERATUR-INDIKATOR**14. ZEIT-INDIKATOR****15. ANZEIGE****16. VENTILATOR-ANZEIGE**

Dies zeigt an, dass der Ventilator funktioniert.

17. HEIZUNGSANZEIGER

Dies zeigt an, dass das Heizelement funktioniert.

18. WARMHALTE-TASTE

Berühren Sie die Warmhaltetaste und starten Sie das Gerät. Die Fritteuse arbeitet im Warmhalte-Modus und die Warmhaltetaste blinkt. Die Standardeinstellung ist 80°C, 60 Minuten. Sie können die Warmhaltezeit und -temperatur auch mit der Zeit-/Temperatur-Steuertaste einstellen.

VOR DEM ERSTEN GEBRAUCH

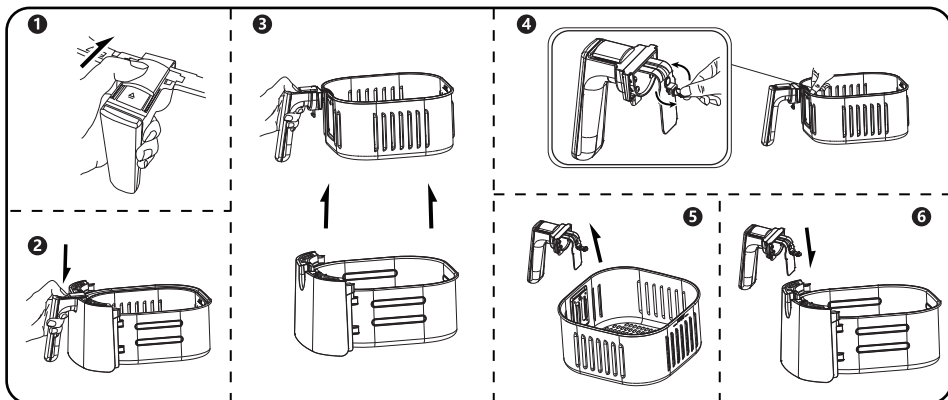
1. Entfernen Sie alle Verpackungsmaterialien.
2. Reinigen Sie den Frittierkorb und den Topf gründlich mit heißem Wasser, Spülmittel und einem nicht scheuernden Schwamm.
3. Wischen Sie die Innen- und Außenseite des Produkts mit einem feuchten Tuch ab.
4. **Warnung:** Bei der ersten Benutzung kann die Fritteuse einen leichten Geruch abgeben. Dieser Geruch ist nicht schädlich und wird nach einigen Minuten verschwinden. Dies ist bei vielen Heizgeräten normal. Die Sicherheit Ihres Geräts wird dadurch nicht beeinträchtigt.

BEDIENUNGSANLEITUNGEN

1. Stellen Sie die Fritteuse auf eine stabile, horizontale und ebene Fläche. Legen Sie keine Gegenstände auf die Fritteuse, da dies den Luftstrom stört und die Ergebnisse beeinträchtigt.
2. Wenn der Strom angeschlossen wird, gibt die Fritteuse einen DI-Ton von sich. Der digitale Bildschirm leuchtet kurz auf. Danach leuchten nur noch die Einschalttaste, die WLAN-Anzeige und das Display. Dies zeigt an, dass sich die Fritteuse im Schlafmodus befindet.

3. Legen Sie den Korb in den Topf. Ziehen Sie den Frittiertopf vorsichtig aus der Fritteuse heraus. Legen Sie die Zutaten in den Korb.
4. Stellen Sie den Frittiertopf wieder in die Fritteuse.

Hinweis: Sie können den Korbgriff auch ohne den Korb direkt am Topf zum Braten montieren (Lösen Sie die Schraube am Korbbarm, um den Korbgriff vom Korbboden zu lösen und am Topf anzuschrauben).



Vorsicht: Berühren Sie das Innere des Topfes oder Korbes der Fritteuse nicht innerhalb von 30 Minuten nach dem Gebrauch, da diese sehr heiß werden. Benutzen Sie immer den mitgelieferten Griff, um den Topf zu halten.

5. Bestimmen Sie die erforderliche Kochzeit und Temperatur für die zu frittierenden Zutaten (siehe SCHLÜSSELFUNKTIONEN).
6. Einige Nahrungsmittel müssen nach der Hälfte der Garzeit gewendet werden. Um die Nahrungsmittel zu drehen, nehmen Sie den Topf mit dem Griff aus der Fritteuse und schütteln Sie ihn vorsichtig. Schieben Sie den Topf dann wieder in die Fritteuse. Die Rapid Air-Technologie kann die Luft im Inneren des Geräts sofort wieder aufheizen. Daher stört das Herausnehmen des Topfes aus dem Gerät während des Frittierprozesses mit Heißluft den Garprozess nicht.

Vorsicht: Drücken Sie während des Schüttelvorgangs nicht auf den Entriegelungsknopf des Handgriffs.

7. Wenn Sie den Timer summen hören, ist die eingestellte Garzeit erreicht. Benutzen Sie den Griff, um den Topf aus dem Gerät zu nehmen.
8. Prüfen Sie, ob das Essen gründlich gegart ist. Ist dies nicht der Fall, schieben Sie den Topf einfach zurück in das Gerät und stellen Sie die Zeitschaltuhr für einige zusätzliche Minuten ein.
9. Um Nahrungsmittel (z. B. Pommes Frites) zu entfernen, ziehen Sie den Topf aus der Heißluftfritteuse und stellen Sie ihn auf eine hitzebeständige Oberfläche. Drücken Sie dann den Korbfreigabeknopf und heben Sie den Korb aus dem Topf. Entleeren Sie den Korb in eine Schüssel oder auf einen Teller.

Vorsicht: Drehen Sie den Korb nicht auf den Kopf, während der Topf noch daran befestigt ist, da überschüssiges Öl, das sich am Boden des Topfes angesammelt hat, auf die Lebensmittel überläuft.

Vorsicht: Der Topf und das Essen werden sehr heiß sein. Je nach Art der Lebensmittel, die Sie in der Fritteuse zubereitet haben, kann Dampf aus dem Topf entweichen.

10. Wenn eine Ladung Lebensmittel fertig ist, ist die Heißluftfritteuse sofort bereit, eine weitere Ladung zu verarbeiten.

KOCHTIPPS

1. Kleinere Lebensmittelmengen erfordern in der Regel eine etwas kürzere Garzeit als größere Mengen.
2. Das Schütteln kleinerer Lebensmittelmengen während der Hälfte der Garzeit optimiert das Endergebnis und kann dazu beitragen, ungleichmäßig frittierte Zutaten zu vermeiden.
3. Fügen Sie frischen Kartoffeln etwas Öl hinzu, um ein knuspriges Ergebnis zu erhalten. Frittieren Sie Ihre Zutaten einige Minuten nach dem Hinzufügen des Öls in der Heißluftbratpfanne.
4. Garen Sie keine extrem fetthaltigen Zutaten, wie z.B. Würste, in der Heißluftbratpfanne.
5. Alle Snacks, die in einem Ofen zubereitet werden können, können auch in der Heißluftbratpfanne zubereitet werden.
6. Verwenden Sie vorgefertigten Teig, um schnell und einfach Snacks zuzubereiten. Vorgefertigter Teig erfordert auch eine kürzere Kochzeit als hausgemachter Teig.
7. Legen Sie eine Backform oder eine Auflaufform in den Korb der Heißluftbratpfanne, wenn Sie einen Kuchen oder eine Quiche backen braten möchten..

FEHLERBEHEBUNG

Problem	Mögliche Ursache	Lösung
Die Fritteuse funktioniert nicht.	Das Gerät ist nicht eingesteckt.	Stecken Sie den Netzstecker in eine geerdete Wandsteckdose.
Das Essen wird nach der Operation nicht gekocht.	Es war zu viel Essen im Korb.	Legen Sie kleinere Mengen Lebensmittel in den Korb. Kleinere Mengen werden gleichmäßiger gebraten.
	Die eingestellte Temperatur war zu niedrig.	Stellen Sie die Temperatur-Taste auf die entsprechende Temperatureinstellung ein.
	Die Kochzeit war zu kurz.	Stellen Sie den Timer auf die gewünschte Garzeit ein.
Das Essen ist in der Heißluftbratpfanne ungleichmäßig gebraten.	Bestimmte Arten von Lebensmitteln müssen während der Hälfte der Kochzeit geschüttelt werden.	Übereinander oder übereinander liegende Zutaten (z.B. Pommes Frites) müssen während der Hälfte der Kochzeit geschüttelt werden.
Frittierte Snacks sind nicht knusprig, wenn sie aus der Heißluftfritteuse kommen.	Sie haben eine Art Snack verwendet, der in einer traditionellen Fritteuse zubereitet werden sollte.	Verwenden Sie Backofensnacks oder streichen Sie die Snacks leicht mit etwas Öl ein, um ein knusprigeres Ergebnis zu erzielen.
Ich kann den Topf nicht richtig in das Gerät schieben.	Es ist zu viel Essen im Korb.	Füllen Sie den Korb nicht über den Indikator 'MAX' hinaus.
	Der Korb ist nicht richtig in den Topf gestellt.	Schieben Sie den Korb nach unten in den Topf, bis Sie ein Klicken hören.
Aus dem Gerät tritt weißer Rauch aus.	Sie kochen fettige Zutaten.	Wenn Sie fettige Zutaten in der Heißluftbratpfanne braten, läuft eine große Menge Öl in den Topf aus. Das Öl erzeugt weißen Rauch, und der Topf kann sich stärker erhitzen als üblich. Dies kann sich nicht nachteilig auf das Gerät oder das endgültige Garergebnis auswirken.
	Der Topf enthält Fettrückstände aus der früheren Verwendung.	Weißer Rauch wird durch die Erwärmung von Fett im Topf verursacht. Stellen Sie sicher, dass Sie den Topf nach jedem Gebrauch ordnungsgemäß reinigen.
Frische Pommes frites werden in der Heißluftfritteuse ungleichmäßig gebraten.	Sie haben nicht die richtige Kartoffelsorte verwendet.	Verwenden Sie frische Kartoffeln und achten Sie darauf, dass sie beim Braten fest bleiben.
	Sie haben die Kartoffelstäbchen vor dem Braten nicht richtig abgespült.	Spülen Sie die Kartoffelstäbchen gründlich ab, um die Stärke von der Außenseite der Stäbchen zu entfernen.
Frische Pommes frites sind nicht knusprig, wenn sie aus der Heißluftfritteuse kommen.	Die Knusprigkeit der Pommes frites hängt von der Menge an Öl und Wasser in den Pommes frites ab.	Achten Sie darauf, dass Sie die Kartoffelsticks gut trocknen, bevor Sie das Öl hinzufügen.
		Schneiden Sie kleinere Kartoffelstäbchen für ein knusprigeres Ergebnis.
		Für ein knusprigeres Ergebnis etwas mehr Öl hinzufügen.

REINIGUNG UND WARTUNG

1. Reinigen Sie das Gerät nach jedem Gebrauch.
2. Ziehen Sie den Stecker aus der Steckdose und geben Sie dem Gerät vor der Reinigung Zeit zum Abkühlen.

Tipp: Nehmen Sie den Topf aus dem Gerät, damit die Heißluftbratpfanne schneller abkühlen kann.

3. Reinigen Sie Topf und Korb mit heißem Wasser, etwas Geschirrspülmittel und einem nicht scheuernden Schwamm.

Hinweis: Verwenden Sie zum Reinigen des Topfes und des Frittierkorbes keine Küchenutensilien aus Metall oder scheuernde Reinigungsmittel, da dies die Antihafbeschichtung beschädigen kann.

Hinweis: Wenn Sie den Korb in der Geschirrspülmaschine reinigen möchten, müssen Sie zunächst die Griffkomponente vom Korbboden lösen. Nachdem der Korb gereinigt wurde und vollständig trocken ist, bringen Sie die Griffbaugruppe wieder an der Korbbasis an, bevor Sie die Schraube für den nächsten Gebrauch anziehen. Der Korb kann nicht in der Geschirrspülmaschine gereinigt werden.

4. Wischen Sie die Außenseite des Geräts mit einem feuchten Tuch ab.
5. Sie können Entfettungsflüssigkeit verwenden, um verbleibenden Schmutz zu entfernen.
Tipp: Wenn Schmutz am Korb oder am Boden des Topfes klebt, füllen Sie den Topf mit heißem Wasser, in dem sich etwas Spülmittel befindet. Setzen Sie den Korb in den Topf und lassen Sie Topf und Korb etwa 10 Minuten einweichen.

AUFBEWAHRUNG

1. Ziehen Sie den Netzstecker und lassen Sie das Gerät vollständig abkühlen, bevor Sie es lagern. Stellen Sie sicher, dass alle Teile sauber und trocken sind. Bewahren Sie die Heißluftfritteuse an einem trockenen Ort auf.
2. Legen Sie während der Lagerung keine schweren Gegenstände auf die Heißluftbratpfanne, da diese dadurch beschädigt werden könnte.
3. Das Netzkabel kann zur einfachen Aufbewahrung auf die Spule an der Rückseite der Fritteuse gewickelt werden.

ENTSORGUNG



Als verantwortungsbewusster Einzelhändler achten wir auf die Umwelt. Daher bitten wir Sie, die korrekten Entsorgungsverfahren für das Gerät und seine Verpackungsmaterialien einzuhalten. Dies wird dazu beitragen, natürliche Ressourcen zu schonen und sicherzustellen, dass diese Gegenstände auf eine Weise recycelt werden, die Gesundheit und Umwelt schützt.

Sie müssen das Gerät und seine Verpackung gemäß den örtlichen Gesetzen und Vorschriften entsorgen.

Da dieses Gerät elektronische Komponenten enthält, muss es mit seinem Zubehör am Ende seiner Lebensdauer getrennt vom Hausmüll entsorgt werden. Wenden Sie sich an Ihre Gemeinde, um sich über Ihre Entsorgungs- und Verwertungsmöglichkeiten zu informieren.

Das Gerät sollte zu Ihrem örtlichen Recyclingzentrum gebracht werden. Einige Sammelstellen akzeptieren Geräte kostenlos.

GEWÄHRLEISTUNG: 2 JAHRE

BELANGRIJKE VEILIGHEIDSINSTRUCTIES

Bij het gebruik van elektrische apparaten moeten altijd fundamentele veiligheidsmaatregelen worden genomen, waaronder de volgende:

1. Lees alle instructies. Controleer of het voltage aangegeven op het apparaat overeenkomt met de plaatselijke netspanning.
2. Raak geen warme oppervlakken aan.
3. Dompel het snoer, de stekkers of de behuizing met elektrische componenten en verwarmingselementen niet onder in water en spoel ze niet af onder de kraan om elektrische schokken te voorkomen.
4.  **WAARSCHUWING:** Dit elektrische apparaat heeft een verwarmingsfunctie. Andere oppervlakken dan de functionele oppervlakken kunnen ook hoge temperaturen bereiken. Aangezien temperaturen door verschillende mensen verschillend worden waargenomen, moet deze apparatuur VOORZICHTIG worden gebruikt. Gebruik alleen de daarvoor bestemde handgrepen en grijppoppervlakken om de apparatuur aan te raken en gebruik hittebescherming zoals handschoenen. Afgezien van de handgrepen moeten andere oppervlakken voldoende worden afgekoeld voordat ze worden aangeraakt.
5. Haal de stekker van het apparaat uit het

stopcontact als het niet in gebruik is en voordat u het schoonmaakt. Laat het afkoelen voordat u onderdelen bevestigt of verwijdert. Het apparaat heeft ongeveer 30 minuten nodig om af te koelen zodat het veilig kan worden gehanteerd of gereinigd. Om uit te schakelen, draait u de knop op 'UIT' en haalt u de stekker uit het stopcontact.

6. Als het netsnoer beschadigd is, moet het worden vervangen door de fabrikant, zijn serviceagent of een vergelijkbare gekwalificeerde persoon om gevaar te voorkomen.
7. Het gebruik van accessoires wordt niet aanbevolen door de fabrikant van het apparaat en kan letsel veroorzaken.
8. Gebruik het apparaat niet buitenshuis.
9. Laat het netsnoer niet over de rand van de tafel of aanrecht hangen of in aanraking komen met hete oppervlakken.
10. Plaats het apparaat niet op of in de buurt van een hete gas- of elektrische brander of een hete oven.
11. Bij het verplaatsen van een apparaat dat hete levensmiddelen bevat, moet uiterste voorzichtigheid worden betracht.
12. Gebruik het apparaat alleen voor het beoogde doel.
13. Dit apparaat kan worden gebruikt door kinderen van 8 jaar en ouder en door personen met beperkte fysieke, zintuiglijke of

mentale capaciteiten of met een gebrek aan ervaring of kennis, zolang zij toezicht of instructies hebben gekregen over het gebruik van dit apparaat in een veilige manier en zij ten volle de aanwezige gevaren begrijpen. Kinderen mogen niet met het apparaat spelen. Kinderen mogen het apparaat niet reinigen of onderhouden, tenzij ze ouder zijn dan 8 jaar en onder toezicht staan.

14. Houd het apparaat en het snoer buiten bereik van kinderen jonger dan 8 jaar.
15. Gebruik het apparaat niet met een externe timer of een afzonderlijk afstandsbedieningssysteem.
16. Leg de te frituren ingrediënten altijd in de frituurmand/pan en voorkom dat deze in contact komen met de verwarmingselementen.
17. Bedek de luchtinlaat en de buitenste luchtopeningen niet terwijl het apparaat in werking is.
18. Vul de pan niet met olie, aangezien dit brand kan veroorzaken.
19. Raak nooit de binnenkant van het apparaat aan terwijl het in werking is.
20. Gebruik het apparaat niet als de stekker, het netsnoer of andere onderdelen beschadigd zijn. Laat het netsnoer niet repareren of vervangen door iemand die niet bevoegd is om dergelijke procedures uit te voeren.
21. Sluit het apparaat niet aan en bedien het bedieningspaneel niet met natte handen.

22. Plaats het apparaat niet tegen een muur of tegen andere apparaten. Laat minstens 10 cm vrije ruimte aan de achterkant en zijkanten en boven het apparaat.
23. Laat het apparaat niet onbeheerd achter wanneer het in werking is.
24. Tijdens het frituren van hete lucht komt hete stoom vrij via de luchtuitlaatopeningen. Houd uw handen en gezicht op veilige afstand van de stoom en van de luchtuitlaatopeningen. Let ook op hete stoom en lucht wanneer u de pan uit het apparaat haalt. Nabije oppervlakken kunnen tijdens gebruik heet worden.
25. Trek onmiddellijk de stekker uit het stopcontact als u ziet dat er donkere rook uit het apparaat komt. Wacht tot er geen rook meer is voordat u de pan uit het apparaat haalt.
26. Als het apparaat onjuist wordt gebruikt of voor professionele of semi-professionele doeleinden, of niet wordt gebruikt volgens de instructies in de gebruikershandleiding, wordt de garantie ongeldig en kunnen we elke aansprakelijkheid voor veroorzaakte schade weigeren.
27. Dit apparaat is bedoeld voor gebruik in huishoudelijke en soortgelijke toepassingen zoals:
 - Keukenruimtes in winkels, kantoren en andere werkomgevingen;
 - Boerderijwoningen;

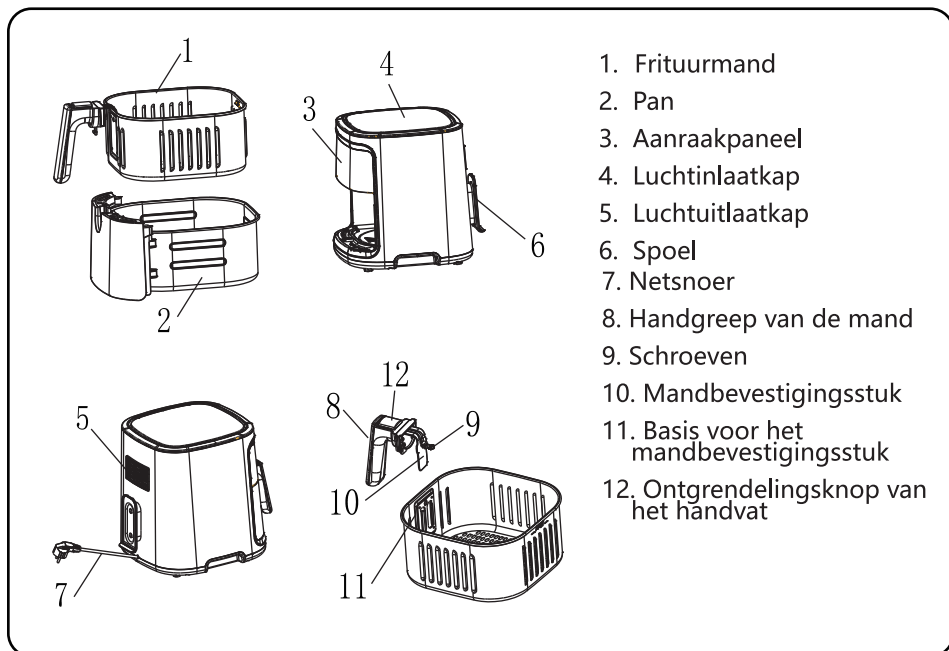
- Door klanten in hotels, motels en andere residentiële omgevingen;
- B&B-omgevingen.

TECHNISCHE SPECIFICATIES

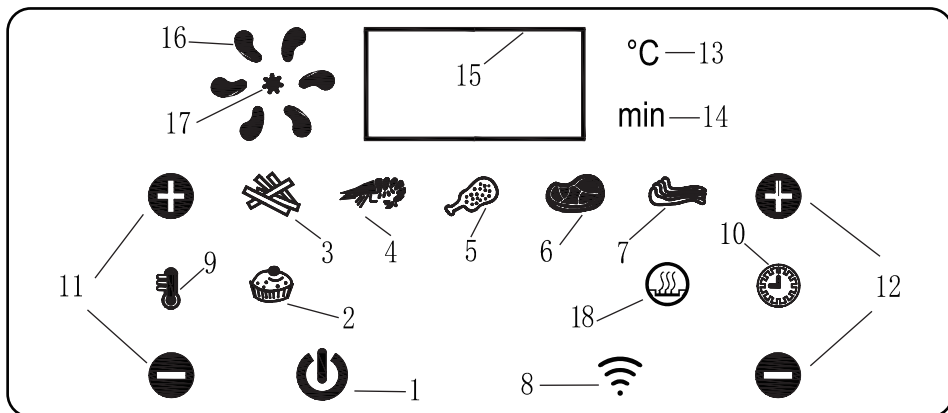
Model No.	300010XQF
Stroomvoorziening	220-240V ~ 50/60Hz
Stroomverbruik	1900W
Afmetingen	L416*B318*H346mm
Capaciteit	7L
Werkingsfrequentie	2400-2483,5 MHz
Maximaal zendvermogen	21dBm

Specificaties en ontwerp kunnen zonder voorafgaande kennisgeving worden gewijzigd.

PRODUCTOVERZICHT



BELANGRIJKSTE FUNCTIES



1. AAN/UIT-KNOP

Zodra de voeding is aangesloten, zal de zoemer een "DI"-geluid laten horen, alle indicatielampjes zullen kort oplichten. Daarna blijft alleen de aan/uit-knop verlicht en wordt op het display "OFF" weergegeven. Dit geeft aan dat de airfryer in de slaapstand staat.

Zet het apparaat in de standby-modus: Raak de aan/uit-knop zachtjes aan. Het display toont de standaardinstelling van 200 °C, 18 minuten. De andere bedieningsknoppen lichten tegelijkertijd op.

Start het apparaat: Raak na het instellen van de tijd en temperatuur opnieuw de aan/uit-knop aan om het apparaat te starten.

Schakel het apparaat uit: Raak tijdens het frituren de aan/uit-knop aan om het apparaat uit te schakelen. De fritusee stopt met werken en gaat terug naar de slaapstand.

2-7. RECEPTKNOP

Met de receptknop kunt u automatisch de kookomstandigheden instellen voor zeven populaire recepten. Eenmaal geselecteerd, gaat de overeenkomstige receptknop branden en wordt de fritusee ingesteld op de standaardtijd en -temperatuur.

Opmerking: Deze instellingen zijn de standaardinstellingen. Omdat ingrediënten verschillen in oorsprong, grootte, vorm en merk, kunnen we de beste instelling voor uw ingrediënten niet vooraf bepalen. U kunt de standaardtijd en -temperatuur verhogen of verlagen afhankelijk van de aard van uw ingrediënten met behulp van de tijd-/ temperatuurregelknop.

Items	Ingrediënten	Standaard Temperatuur (°C)	Standaardtijd (minuten)
2	Cake	160	30
3	Aardappelen	200	22
4	Garnalen	180	15
5	Kip	200	22
6	Biefstuk	180	15
7	Vlees	180	20

8. WIFI-INDICATOR**9. TEMPERATUURREGEL-INDICATOR****10. TIJDCONTROLE-INDICATOR****11. KNOPPEN VOOR TEMPERATUURREGELING**

De + en - symbolen verhogen of verlagen Kook-/Warmhoudtemperatuur telkens met 10 °C. Als u de knop ingedrukt houdt, verandert de temperatuur snel. De temperatuurregeling varieert van 80 °C -200 °C.

12. TIMER BEDIENINGSKNOPPEN VOOR KOKEN/WARMHOUDEN

Met de symbolen + en - kunt u de kook-/warmhoudtijd (in stappen van 1 minuut) verlengen of verkorten. Als u de knop ingedrukt houdt, verandert de kooktijd snel. Het timerbereik is 1-60 minuten.

13. TEMPERATUURINDICATOR**14. TIJDINDICATOR****15. SCHERMPJE****16. VENTILATORINDICATIELAMPJE**

Dit geeft aan dat de ventilator werkt.

17. VERWARMINGSINDICATIELAMPJE

Dit geeft aan dat het verwarmingselement werkt.

18. WARMHOUDKNOP

Raak de warmhoudknop aan en start het apparaat. De friteuse werkt in de warmhoudmodus en de warmhoudknop knippert. De standaardinstelling is 80 °C, 60 minuten. U kunt de warmhoudtijd en -temperatuur ook aanpassen met de tijd-/temperatuurregelknop.

VOOR HET EERSTE GEBRUIK

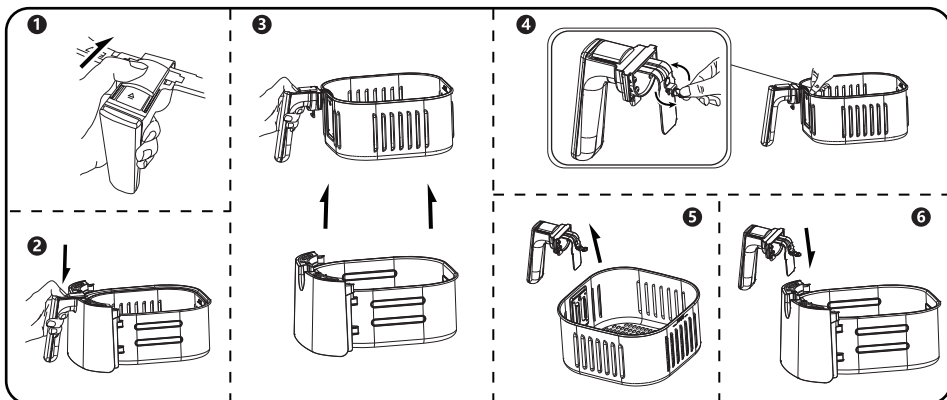
1. Verwijder alle verpakkingsmaterialen.
2. Reinig de frituurmand en de pan grondig met heet water, afwasmiddel en een niet-schurende spons.
3. Veeg de binnenkant en buitenkant van het product af met een natte doek.
4. **Waarschuwing:** Bij het eerste gebruik kan de heteluchtfriteuse een lichte geur afgeven. Deze geur is niet schadelijk en verdwijnt na enkele minuten. Dit is normaal bij veel verwarmingstoestellen. Dit heeft geen invloed op de veiligheid van uw apparaat.

BEDIENINGSVOORSCHRIFTEN

1. Plaats de friteuse op een stabiele, horizontale en vlakke ondergrond. Plaats er niets bovenop, omdat dit de luchtstroom verstoort en de resultaten beïnvloedt.
2. Wanneer de stroom is aangesloten, maakt de airfryer een DI-geluid. Het digitale scherm zal kort oplichten. Daarna blijven alleen de aan/uit-knop, WiFi-indicator en het display verlicht. Dit geeft aan dat de airfryer in de slaapstand staat.

3. Plaats de mand in de pan. Trek de frituurpan voorzichtig uit de heteluchtfriteuse. Stop de ingrediënten in de mand.
4. Schuif de frituurpan terug in de luchtfriteuse.

Opmerking: U kunt de handgreep van de mand ook rechtstreeks op de pan monteren om te frituren zonder de mand te gebruiken (Draai de schroef op het mandbevestigingsstuk los om het handvat van de mand los te maken van de basis voor het mandbevestigingsstuk en schroef hem in de pan.)



Let op: Raak de binnenkant van de frituurpan of mand niet binnen 30 minuten na gebruik aan, want deze wordt erg heet. Gebruik altijd het meegeleverde handvat om de pan vast te houden.

5. Bepaal de vereiste kooktijd en temperatuur voor de ingrediënten die gefrituurd dienen te worden (zie SLEUTELFUNCTIES).
6. Sommige voedingsmiddelen moeten halverwege de kooktijd worden geschud. Om het voedsel te schudden, trekt u de pan uit het apparaat via het handvat en schudt u deze. Schuif vervolgens de pan terug in de friteuse. Rapid air-technologie kan de lucht in het apparaat onmiddellijk opwarmen. Als zodanig verstoort het verwijderen van de pan uit het apparaat tijdens het frituren met hete lucht het kookproces niet.

Let op: Druk niet op de ontgrendelknop van het handvat tijdens het schudden.

7. Wanneer u de timerzoemer hoort, is de ingestelde kooktijd bereikt. Gebruik het handvat om de pan uit het apparaat te verwijderen.
8. Controleer of het voedsel gaar is. Als dit niet het geval is, schuift u de pan eenvoudig terug in het apparaat en stelt u de timer een paar extra minuten in.
9. Om voedsel (bijvoorbeeld frieten) te verwijderen, trekt u de pan uit de heteluchtfriteuse en plaatst u deze op een hittebestendig oppervlak. Druk vervolgens op de ontgrendelknop van de mand en til de mand uit de pan. Leeg de mand in een kom of op een bord.

Let op: Draai de mand niet ondersteboven met de pan er nog aan vast, omdat overtollige olie, die zich op de bodem van de pan heeft verzameld, op het voedsel zal lekken.

Let op: De pan en het voedsel zullen erg heet zijn. Afhankelijk van het soort voedsel dat in de friteuse kookt, kan er stoom uit de pan ontsnappen.

10. Wanneer een hoeveelheid voedsel gefrituurd is, is de heteluchtfriteuse klaar om een andere portie te frituren.

KOOKTIPS:

1. Kleinere hoeveelheden voedsel vereisen meestal een iets kortere kooktijd dan grotere.
2. Schudden van kleinere hoeveelheden voedsel halverwege de kooktijd optimaliseert het eindresultaat en voorkomt het ongelijk gebakken van de ingrediënten.
3. Voor een knapperig resultaat voegt u wat olie toe aan verse aardappelen. Bak uw ingrediënten enkele minuten na het toevoegen van de olie in de hetelucht friteuse.
4. Kook geen extreem vette ingrediënten zoals worsten, in de heteluchtfriteuse.
5. Snacks die in een oven kunnen worden gebakken, kunnen ook in de heteluchtfriteuse worden gebakken.
6. Gebruik kant-en-klaar deeg om gevulde snacks snel en gemakkelijk te bereiden. Kant-en-klaar deeg vereist ook een kortere kooktijd dan zelfgemaakt deeg.
7. Plaats een bakvorm of ovenschaal in de frituurmand als u een cake of quiche wilt bakken of als u breekbare of gevulde ingrediënten wilt bakken.

PROBLEEMOPLOSSING

Probleem	Mogelijke Oorzaak	Oplossing
De heteluchtfriteuse werkt niet.	Het apparaat is niet ingeschakeld.	Steek de stekker in een geaard stopcontact.
Het voedsel wordt na gebruik niet gaar.	Er was te veel voedsel in de mand.	Stop kleinere hoeveelheden voedsel in de mand. Kleinere hoeveelheden worden gelijkmatiger gebakken.
	De ingestelde temperatuur was te laag.	Stel de temperatuurtoets in op de juiste temperatuurstelling.
	De kooktijd was te kort.	Stel de timer in volgens de vereiste kooktijd.
Het voedsel is ongelijkmatig gebakken in de heteluchtfriteuse.	Bepaalde soorten voedsel moeten halverwege de kooktijd worden geschud.	Ingrediënten die op of over elkaar liggen (bijv. frieten) moeten halverwege de kooktijd worden geschud.
De gefrituurde snacks zijn niet krokant wanneer ze uit de heteluchtfriteuse komen.	U heeft een soort snack gebakken die bedoeld is voor een traditionele frituurpan.	Gebruik ovensnacks of borstel licht wat olie op de snacks voor een knapperiger resultaat.
Ik kan de pan niet goed in het apparaat schuiven.	Er is te veel voedsel in de mand.	Vul het mandje niet verder dan de 'MAX'-aanduiding.
	De mand is niet juist in de pan geplaatst.	Duw de mand omlaag in de pan totdat u een klik hoort.
Er komt witte rook uit het apparaat.	U kookt vette ingrediënten.	Wanneer u vette ingrediënten in de heteluchtfriteuse frituurt, zal een grote hoeveelheid olie in de pan lekken. De olie produceert witte rook en de pan kan meer dan normaal opwarmen. Dit heeft geen invloed op het apparaat of het eindkookresultaat.
	De pan bevat vetresten van het vorige gebruik.	Witte rook wordt veroorzaakt door vet dat in de pan opwarmt. Zorg ervoor dat je de pan na elk gebruik goed schoonmaakt.
Verse frieten worden ongelijkmatig gefrituurd in de heteluchtfriteuse.	U heeft niet de juiste aardappelsoort gebruikt.	Gebruik verse aardappelen en zorg ervoor dat ze stevig blijven tijdens het frituren.
	U heeft de aardappelsticks niet goed gespoeld voordat u ze frituurde.	Spoel de aardappelsticks goed af om zetmeel van de buitenkant van de sticks te verwijderen.
Verse frieten zijn niet krokant wanneer ze uit de heteluchtfriteuse komen.	Het krokante van de frieten hangt af van de hoeveelheid olie en water in de frieten.	Zorg ervoor dat u de aardappelsticks goed droogt voordat u de olie toevoegt.
		Snij kleinere aardappelsticks voor een knappiger resultaat.
		Voeg iets meer olie toe voor een knapperiger resultaat.

REINIGING EN ONDERHOUD

1. Reinig het apparaat na elk gebruik.
2. Haal de stekker uit het stopcontact en laat het apparaat afkoelen voordat u het schoonmaakt.

Tip: Haal de pan uit het apparaat om de heteluchtfriteuse sneller te laten afkoelen.

3. Reinig de pan en mand met heet water, een beetje afwasmiddel en een niet-schurende spons.

Opmerking: Gebruik geen metalen keukengerei of schurende schoonmaakmiddelen om de pan en de frituurmand schoon te maken omdat dit de antiaanbaklaag kan beschadigen.

Opmerking: als u de mand in een vaatwasser wilt reinigen, moet u eerst het handvat van de basis voor het mandbevestigingsstuk verwijderen. Nadat de mand is schoongemaakt en helemaal droog is, installeert u het handvat opnieuw op het mandbevestigingsstuk voordat u de schroef voor het volgende gebruik vastdraait. De pan mag niet in de vaatwasser.

4. Veeg de buitenkant van het apparaat af met een vochtige doek.
5. U kunt ontvettingsvloeistof gebruiken om eventueel achtergebleven vuil te verwijderen.

Tip: Als er vuil op de mand of de bodem van de pan zit, vul de pan dan met heet water met wat afwasmiddel erin. Doe de mand in de pan en laat de pan en mand ongeveer 10 minuten weken.

OPSLAG

1. Koppel het apparaat los en laat het volledig afkoelen voordat u het opbergt. Zorg ervoor dat alle onderdelen schoon en droog zijn.

Bewaar de heteluchtfriteuse op een droge plaats.

2. Plaats tijdens de opslag geen zware voorwerpen op de heteluchtfriteuse, omdat deze de heteluchtfriteuse kunnen beschadigen.
3. Het netsnoer kan eenvoudig op de spoel aan de achterkant van de friteuse worden gewikkeld.

AFVALVERWERKING



Als verantwoordelijke retailers geven we om het milieu.

Daarom verzoeken wij u om de juiste verwijderingsprocedure voor het apparaat en zijn verpakkingsmaterialen te volgen. Dit helpt bij het behoud van natuurlijke hulpbronnen en zorgt ervoor dat deze items worden gerecycled op een manier die de gezondheid en het milieu beschermt.

U moet het apparaat en zijn verpakking weggooien in overeenstemming met de lokale wet- en regelgeving.

Aangezien dit apparaat elektronische componenten bevat, moet het aan het einde van zijn levensduur samen met zijn accessoires gescheiden van het huishoudelijk afval worden weggegooid.

Neem contact op met uw lokale overheid voor meer informatie over afvalverwerking en recyclagemogelijkheden.

Het apparaat moet naar uw plaatselijke recyclagecentrum worden gebracht. Sommige verzamelpunten accepteren apparaten gratis.

GARANTIE: 2 JAAR

CONSIGNES DE SÉCURITÉ

IMPORTANTES

Lors de l'utilisation d'appareils électriques, des précautions de sécurité basiques doivent toujours être suivies, y compris les suivantes :

1. Lisez toutes les instructions. Vérifiez que la tension indiquée sur l'appareil correspond à la tension secteur locale.
2. Ne touchez pas les surfaces chaudes.
3. Pour vous protéger contre tout risque d'électrocution, n'immergez pas le câble, les prises ou le boîtier contenant les composants électriques et les éléments chauffants dans l'eau, et ne les rincez pas sous le robinet.
4.  **ATTENTION** : Cet appareil électrique chauffe. Les surfaces autres que les surfaces fonctionnelles peuvent également atteindre des températures élevées. Puisque les températures sont perçues différemment par chacun, cet appareil doit être utilisé avec PRUDENCE. Utilisez uniquement les poignées et les surfaces de préhension prévues à cet effet pour toucher l'appareil et utilisez des protections thermiques telles que des gants. Les surfaces autres que les surfaces de préhension prévues doivent refroidir suffisamment de temps avant d'être touchées.
5. Débranchez l'appareil de la prise murale lorsqu'il n'est pas utilisé et avant de le

- nettoyer. Laissez-le refroidir avant de fixer ou détacher des éléments. L'appareil a besoin d'environ 30 minutes de refroidissement pour être manipulé ou nettoyé en toute sécurité. Pour le déconnecter, placez toutes les commandes sur « OFF », puis débranchez-le de la prise murale.
6. Si le câble d'alimentation est endommagé, il doit être remplacé par le fabricant, son agent de service agréé ou des personnes de qualification similaire afin d'éviter tout danger.
 7. L'utilisation d'accessoires n'est pas recommandée par le fabricant de l'appareil et peut entraîner des blessures.
 8. N'utilisez pas l'appareil en extérieur.
 9. Ne laissez pas le câble d'alimentation pendre du bord de la table ou du plan de travail ou toucher des surfaces chaudes.
 10. Ne placez pas l'appareil sur ou à proximité de surfaces chaudes telles que cuisinières à gaz, plaques chauffantes et fours.
 11. Une extrême prudence doit être prise lors du déplacement d'un appareil contenant des aliments chauds.
 12. N'utilisez pas l'appareil autrement que pour l'usage auquel il est destiné.
 13. Cet appareil peut être utilisé par les enfants âgés de 8 ans et plus et les personnes ayant des capacités physiques, sensorielles ou mentales réduites ou qui manquent d'expérience et de connaissances si elles sont

supervisées et ont reçu des instructions sur la façon de l'utiliser en toute sécurité et comprennent les dangers encourus. Les enfants ne doivent pas jouer avec cet appareil. Ils ne doivent pas non plus nettoyer ou faire l'entretien de l'appareil, à moins d'être âgés de plus de 8 ans et être sous surveillance.

14. Maintenez l'appareil et le câble hors de la portée des enfants de moins de 8 ans.
15. Cet appareil n'est pas conçu pour fonctionner avec une minuterie externe ou un système de commande à distance séparé.
16. Placez toujours les aliments à frire dans le panier/récipient de friture et évitez qu'ils n'entrent en contact avec les éléments chauffants.
17. Ne couvrez pas les ouvertures d'entrée d'air et de sortie lorsque l'appareil est en marche.
18. Ne remplissez pas le récipient d'huile car cela pourrait provoquer un incendie.
19. Ne touchez jamais l'intérieur de l'appareil lorsqu'il est en marche.
20. N'utilisez pas l'appareil si la prise, le câble d'alimentation ou d'autres pièces sont endommagés. Ne faites pas réparer ou remplacer le câble principal par une personne non autorisée à effectuer de telles procédures.
21. Ne branchez pas l'appareil et n'utilisez pas le panneau de commande avec les mains mouillées.

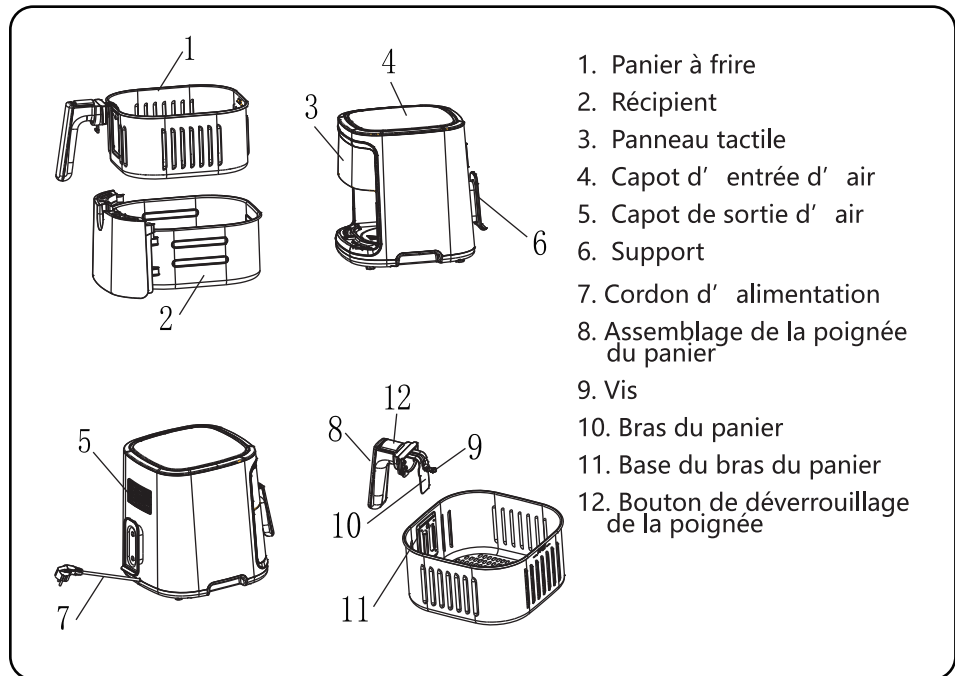
22. Ne placez pas l'appareil contre un mur ou contre d'autres appareils. Laissez au moins 10 cm d'espace libre à l'arrière et sur les côtés, ainsi qu'au-dessus de l'appareil.
23. Ne laissez pas l'appareil sans surveillance lorsqu'il est en marche.
24. Lors de la friture à l'air chaud, de la vapeur chaude est libérée par les orifices de sortie d'air. Maintenez vos mains et votre visage à une distance de sécurité de la vapeur et des orifices de sortie d'air. Faites également attention à la vapeur et à l'air chaud lorsque vous retirez le récipient de l'appareil. Toutes les surfaces accessibles peuvent devenir chaudes pendant l'utilisation.
25. Débranchez immédiatement l'appareil si vous voyez de la fumée noire en sortir. Attendez qu'il arrête de fumer avant de retirer le récipient de l'appareil.
26. Si l'appareil est utilisé de manière inappropriée, à des fins professionnelles ou semi-professionnelles, ou s'il n'est pas utilisé conformément aux instructions du guide d'utilisation, la garantie devient invalide et nous déclinons toute responsabilité pour les dommages causés.
27. Cet appareil est destiné à être utilisé à des fins domestiques ou similaires, telles que :
 - les cuisines du personnel dans les magasins, bureaux et autres environnements de travail ;
 - par des clients d'hôtels, motels et autres environnements de type résidentiels.

CARACTÉRISTIQUES TECHNIQUES

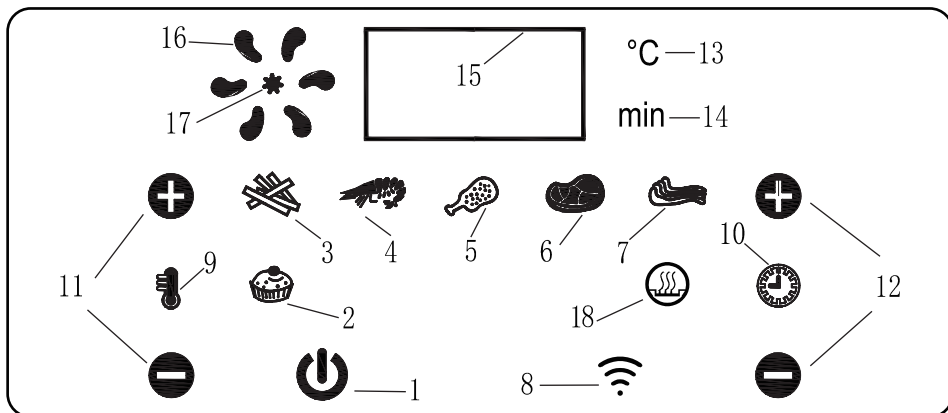
Modèle n°	300010XQF
Alimentation	220-240V ~ 50/60Hz
Puissance	1900W
Dimensions	416*318*346mm (L*I*h)
Capacité	7L
Fréquence de fonctionnement	2400-2483.5MHz
Transmission maximale	21dBm

Les caractéristiques et la conception sont sujettes à modification sans préavis.

SCHEMA DE L' APPAREIL



FONCTIONS PRINCIPALES



1. BOUTON D'ALIMENTATION

Une fois l'appareil branché, il émettra un son "DI" et tous les indicateurs s'allumeront brièvement. Après cela, seul le bouton d'alimentation reste allumé et l'écran affiche "OFF". Cela indique que la friteuse est en mode veille.

Mettre l'appareil en mode veille: appuyez légèrement sur le bouton d'alimentation. L'écran affichera le réglage par défaut: 200°C, 18 minutes. Les autres boutons de fonctionnement seront illuminés en même temps.

Démarrage de l'appareil: Après avoir réglé le temps de cuisson et la température, appuyez à nouveau sur le bouton d'alimentation pour démarrer l'appareil.

Éteindre l'appareil: appuyez sur le bouton d'alimentation pendant le processus de friture pour arrêter l'appareil. La friteuse cesse de fonctionner et revient en mode veille.

2-7. BOUTONS DE RECETTES

Les boutons de recettes vous permettent de définir automatiquement les réglages de cuisson pour sept aliments populaires. Une fois sélectionné, le bouton de recette correspondant clignote et la friteuse est automatiquement réglée sur le temps et la température par défaut pour cet aliment.

Remarque: ces paramètres sont des paramètres par défaut. Comme les ingrédients diffèrent par leur origine, leur taille, leur forme et leur marque, nous ne pouvons garantir le meilleur réglage pour vos ingrédients. Vous pouvez augmenter ou diminuer le temps et la température par défaut en fonction de la nature de vos ingrédients en utilisant les boutons de contrôle de temps et de température.

Bouton	Aliments	Température par défaut (°C)	Temps par défaut (minutes)
2	Gâteaux	160	30
3	Pommes de terre	200	22
4	Crevettes	180	15
5	Poulet	200	22
6	Steak	180	15
7	Viande	180	20

8. INDICATEUR WI-FI**9. INDICATEUR DE CONTRÔLE DE LA TEMPÉRATURE****10. INDICATEUR DE CONTRÔLE DU TEMPS****11. BOUTONS DE CONTRÔLE DE LA TEMPÉRATURE**

Les symboles + et – permettent d'augmenter ou diminuer la température de cuisson / maintien au chaud de 10 °C à chaque fois. Maintenir le bouton enfoncé permet de changer plus rapidement la température. La température varie sur la plage de 80°C à 200°C.

12. BOUTONS DE COMMANDE DE LA MINUTERIE DE CUISSON / MAINTIEN AU CHAUD

Les symboles + et - permettent d'augmenter ou diminuer le temps de cuisson / maintien au chaud (par incréments d'une minute). Maintenir le bouton enfoncé permet de modifier rapidement le temps de cuisson. La plage de réglage est de 1 à 60 minutes.

13. INDICATEUR DE TEMPÉRATURE**14. INDICATEUR DE TEMPS****15. AFFICHAGE****16. INDICATEUR DE VENTILATION**

Cela indique que le ventilateur fonctionne.

17. INDICATEUR DE CHAUFFAGE

Cela indique que l'élément chauffant fonctionne.

18. BOUTON DE MAINTIEN AU CHAUD

Appuyez sur le bouton de maintien au chaud et démarrez l'appareil. La friteuse fonctionnera en mode de maintien au chaud et le bouton correspondant clignotera. Le réglage par défaut est 80°C, 60 minutes. Vous pouvez également régler le temps de maintien au chaud et la température à l'aide des boutons de commande de temps et température.

AVANT LA PREMIÈRE UTILISATION

1. Retirez tous les matériaux d'emballage.
2. Nettoyez soigneusement le panier à frire et le récipient avec de l'eau chaude et du liquide vaisselle sur une éponge non abrasive.
3. Essuyez ensuite l'intérieur et l'extérieur du produit avec un chiffon humide.
4. **Avertissement:** lors de la première utilisation, la friteuse à air peut dégager une légère odeur. Cette odeur n'est pas nocive et disparaîtra après quelques minutes. Ceci est normal avec de nombreux appareils chauffants. Cela n'affecte pas la sécurité de votre appareil.

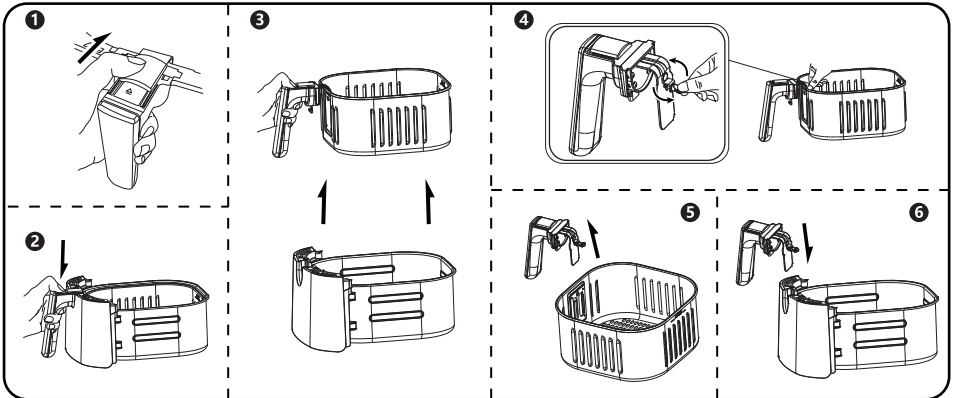
FONCTIONNEMENT

1. Placez l'appareil sur une surface stable, horizontale et uniforme. Ne posez rien dessus car cela perturberait le flux d'air et affecterait les résultats de friture.
2. Lorsque l'alimentation est connectée, la friteuse émettra un son. L'écran numérique s'allume brièvement. Après cela, seuls le bouton d'alimentation, l'indicateur WiFi et l'écran resteront allumés, indiquant que la friteuse est en

mode veille.

3. Retirez délicatement le récipient de la friteuse. Placez le panier dans le récipient puis mettez les ingrédients dans le panier.
4. Faites glisser le récipient dans la friteuse.

Remarque: vous pouvez également assembler la poignée du panier directement sur le récipient pour la friture sans panier. Pour cela, dévissez la vis située sur le bras du panier pour le détacher de sa base et vissez-la sur le récipient.



Attention: Ne touchez pas l'intérieur du récipient ou du panier dans les 30 minutes après l'utilisation car ils deviennent très chauds. Utilisez toujours la poignée fournie pour tenir le récipient.

5. Déterminez le temps et la température de cuisson requis selon les aliments à frire (voir FONCTIONS PRINCIPALES).
6. Certains aliments doivent être remués à mi-cuisson. Pour les remuer, retirez le récipient de la friteuse à l'aide de la poignée et remuez-le doucement. Ensuite, remettez le récipient dans la friteuse.

La technologie à air rapide réchauffe instantanément l'intérieur de l'appareil. Pour cette raison, retirez le récipient pendant le fonctionnement de l'appareil ne perturbe pas le processus de cuisson.

Attention: N'appuyez pas sur le bouton de déverrouillage de la poignée lorsque vous remuez les aliments.

7. Lorsque vous entendez le signal sonore de la minuterie, cela signifie que le temps de cuisson réglé est atteint. Utilisez la poignée pour retirer le récipient de l'appareil.
8. Vérifiez si les aliments sont bien cuits. Si ce n'est pas le cas, glissez simplement à nouveau le récipient dans l'appareil et réglez la minuterie pour quelques minutes supplémentaires.
9. Lorsque la cuisson est terminée, retirez le récipient de la friteuse et placez-le sur une surface résistante à la chaleur. Ensuite, appuyez sur le bouton de déverrouillage du panier et soulevez le panier hors du récipient. Videz le panier dans un plat ou sur une assiette.

Attention: Ne retournez pas le panier avec le récipient toujours attaché, car tout excès d'huile qui s'est accumulé au fond du récipient coulerait sur les aliments.

Prudence: Le récipient et les aliments seront très chauds. Selon le type d'aliment utilisé, de la vapeur peut s'échapper du récipient.

10. Lorsqu'une série d'aliments est prête, la friteuse est instantanément prête pour la cuisson d'une nouvelle série.

CONSEILS DE CUISSON

1. Les petites quantités d'aliments nécessitent généralement un temps de cuisson un peu plus court que les plus grandes.
2. Remuer les aliments à mi-cuisson optimise le résultat final et peut aider à éviter des aliments non frits.
3. Ajoutez de l'huile sur les pommes de terre fraîches pour un résultat croustillant. Faites frire vos ingrédients quelques minutes après avoir ajouté l'huile.
4. Ne faites pas cuire des ingrédients extrêmement gras tels que des saucisses dans la friteuse à air.
5. Les collations pouvant être cuites au four peuvent également être cuites dans la friteuse à air chaud.
6. Utilisez de la pâte préparée pour cuire rapidement et facilement des collations fourrées. La pâte préparée nécessite également un temps de cuisson plus court que la pâte faite maison.
7. Placez un plat à gratin ou un plat à four dans le panier de la friteuse si vous souhaitez cuire un gâteau ou une quiche ou si vous souhaitez faire frire des ingrédients fragiles ou fourrés.

DÉPANNAGE

Problème	Cause possible	Solution
La friteuse ne fonctionne pas.	L' appareil n' est pas branché.	Branchez la friteuse dans une prise murale mise à la terre.
Les aliments frits avec la friteuse ne sont pas cuits.	Vous avez placé une quantité excessive de nourriture dans le panier.	Placez de plus petites séries d' aliments dans le panier. Les frites de plus petites séries sont plus uniformes.
	Vous avez choisi une température trop basse.	Réglez la température sur la température appropriée.
	Le temps de cuisson est trop court.	Réglez la minuterie sur le temps de cuisson approprié.
Les aliments ne sont pas frits uniformément.	Certains aliments doivent être remués à mi-cuisson.	Les aliments qui sont couverts ou qui se croisent entre eux (comme les frites) doivent être remués durant la cuisson.
Les snacks frits ne sont pas croustillants.	Vous utilisez des snacks pour la cuisson en friteuse traditionnelle.	Utilisez des snacks pour four ou mettez dessus un petit peu d' huile pour un résultat plus croustillant.
Le récipient ne s' insère pas correctement dans la friteuse.	Il y a trop de nourriture dans le panier.	La quantité de nourriture ne doit pas dépasser la marque « MAX ».
	Le panier n' est pas bien positionné dans le récipient.	Poussez le panier dans le récipient jusqu' à ce que vous entendiez un clic.
De la fumée blanche s' échappe de la friteuse.	Vous préparez des aliments gras.	En cuisant des aliments gras, une grande quantité d' huile est accumulée dans le récipient de cuisson. L' huile produit de la fumée blanche et le récipient peut devenir plus chaud que d' habitude. Cela ne nuit pas à la friteuse ou au résultat final.
	Le récipient de cuisson a encore des résidus de graisse de l' utilisation précédente.	La fumée blanche est provoquée par la graisse qui se réchauffe dans le récipient de cuisson. Assurez-vous de nettoyer le récipient après chaque utilisation.
Les frites fraîches ne sont pas frites uniformément.	Vous n' utilisez pas le bon type de pommes de terre.	Utilisez des pommes de terre fraîches et assurez-vous qu' elles conservent la fermeté pendant la cuisson.
	Vous n' avez pas bien lavé les pommes de terre avant de les frire.	Lavez bien les pommes de terre pour éliminer l' amidon.
Les frites fraîches ne sont pas croustillantes.	Le croustillant des frites dépend de la quantité d'huile et d'eau dans les frites.	Assurez-vous de bien sécher les pommes de terre avant d' ajouter de l' huile.
		Coupez les pommes de terre en plus petits morceaux pour un résultat plus croustillant.
		Ajoutez un petit peu plus d' huile pour un résultat plus croustillant.

NETTOYAGE ET ENTRETIEN

1. Nettoyez l'appareil après chaque utilisation.
2. Retirez la fiche de la prise murale et laissez refroidir l'appareil avant de le nettoyer.

Conseil: retirez le récipient de l'appareil pour aider la friteuse à refroidir plus rapidement.

3. Nettoyez le récipient et le panier avec de l'eau chaude, un peu de liquide vaisselle et une éponge non abrasive.

Remarque: N'utilisez pas d'ustensiles de cuisine en métal ou de produits de nettoyage abrasifs pour nettoyer le récipient et le panier, car cela pourrait endommager le revêtement antiadhésif.

Remarque: Si vous souhaitez nettoyer le panier au lave-vaisselle, détachez d'abord la poignée. Une fois le panier nettoyé et complètement sec, réinstallez la poignée et serrez la vis pour la prochaine utilisation. Le récipient ne peut pas être lavé au lave-vaisselle.

4. Essuyez l'extérieur de l'appareil avec un chiffon humide.
 5. Vous pouvez utiliser un liquide dégraissant pour éliminer toute saleté restante.
- Conseil:** Si des restes sont collés au panier ou au fond du récipient, remplissez le récipient d'eau chaude avec un peu de liquide vaisselle. Placez le panier dans le récipient et laissez tremper le tout pendant environ 10 minutes.

STOCKAGE

1. Débranchez l'appareil et laissez-le refroidir complètement avant de le ranger. Assurez-vous que toutes les pièces soient propres et sèches.
Stockez l' appareil dans un endroit sec.
2. Ne placez aucun objet lourd sur la friteuse pendant son stockage, cela pourrait l'endommager.
3. Le cordon d'alimentation peut être enroulé sur le support à l'arrière de la friteuse pour un rangement facile.

RECYCLAGE



En tant que fabricant responsable, nous nous soucions de l'environnement. Pour cette raison, nous vous invitons à suivre la procédure d' élimination appropriée pour l' appareil et les matériaux d' emballage. Cela contribuera à préserver les ressources naturelles et à garantir que celles-ci soient recyclées de manière à protéger la santé et l'environnement.

Vous devez éliminer cet appareil et son emballage conformément aux lois et règlements en vigueur.


Puisqu' ils contiennent des composants électroniques, l'appareil et ses accessoires doivent être éliminés séparément des ordures ménagères lorsque l'appareil atteint sa fin de vie.

Contactez votre autorité locale pour en savoir plus sur l'élimination et le recyclage. L'appareil doit être amené à votre point de collecte local pour recyclage. Certains points de collecte acceptent les appareils gratuitement.

GARANTIE: 2 ANS

IMPORTANTES INSTRUÇÕES DE SEGURANÇA

Ao usar aparelhos elétricos, sempre devem ser seguidas as precauções básicas de segurança, incluindo o seguinte:

1. Leia todas as instruções. Verifique se a voltagem indicada no aparelho corresponde à voltagem da rede local.
2. Não toque em superfícies quentes.
3. Para proteger contra choque elétrico, não mergulhe o cabo, os plugues ou a carcaça que contém componentes elétricos e elementos de aquecimento em água ou enxágue-os com água corrente.
4.  **AVISO:** Este aparelho elétrico possui uma função de aquecimento. Superfícies diferentes das superfícies funcionais também podem atingir altas temperaturas. Como as temperaturas são percebidas de forma diferente por pessoas diferentes, este equipamento deve ser usado com CUIDADO. Use apenas as alças e as superfícies de aperto fornecidas para esse fim para tocar no equipamento e use proteção contra o calor, como luvas. Superfícies diferentes das superfícies de preensão pretendidas devem ter tempo suficiente para esfriar antes de serem tocadas.
5. Desconecte o aparelho da tomada quando não estiver em uso e antes da limpeza.

Deixe esfriar antes de prender ou desmontar as peças. O aparelho precisa de aproximadamente 30 minutos para esfriar para ser manuseado ou limpo com segurança. Para desconectar, gire qualquer controle para 'OFF' e remova o plugue da tomada.

6. Se o cabo de alimentação estiver danificado, ele deve ser substituído pelo fabricante, seu agente de serviço ou pessoas qualificadas da mesma forma para evitar perigos.
7. O uso de acessórios não é recomendado pelo fabricante do aparelho e pode causar ferimentos.
8. Não use o aparelho ao ar livre.
9. Não deixe o fio pendurado na borda da mesa ou balcão, nem toque em superfícies quentes.
10. Não coloque o aparelho em cima ou perto de queimadores a gás ou elétricos quentes ou em um forno aquecido.
11. Deve-se tomar muito cuidado ao mover um aparelho contendo alimentos quentes.
12. Não use o aparelho além do uso pretendido.
13. Este aparelho pode ser usado por crianças com 8 anos ou mais e pessoas com capacidades físicas, sensoriais ou mentais reduzidas ou falta de experiência e conhecimento se forem supervisionadas e

tiverem recebido instruções sobre como usá-lo com segurança e entender os perigos envolvidos. As crianças não devem brincar com o aparelho. As crianças não devem limpar ou realizar manutenção do usuário, a menos que tenham mais de 8 anos e sejam supervisionadas.

14. Mantenha o aparelho e o fio fora do alcance de crianças menores de 8 anos.
15. Os aparelhos não devem ser operados por meio de um timer externo ou sistema de controle remoto separado.
16. Coloque sempre os ingredientes a fritar no cesto/panela de fritos e evite que estes entrem em contacto com os elementos de aquecimento.
17. Não cubra a entrada de ar e as aberturas externas de ar enquanto o aparelho estiver em operação.
18. Não encha a panela com óleo, pois isso pode causar risco de incêndio.
19. Nunca toque na parte interna do aparelho enquanto estiver em operação.
20. Não use o aparelho se houver algum dano no plugue, no cabo de alimentação ou em outras partes. Não tenha o cabo principal fixo ou substituído por qualquer pessoa não autorizada para executar esses procedimentos.
21. Não conecte o aparelho nem opere o painel de controle com as mãos molhadas.
22. Não coloque o aparelho contra uma parede

ou contra outros aparelhos. Deixe pelo menos 10 cm de espaço livre na parte traseira e nas laterais, bem como acima do aparelho.

23. Não deixe o aparelho sem vigilância quando estiver em funcionamento.
24. Durante a fritura de ar quente, o vapor quente é liberado pelas aberturas de saída de ar. Mantenha as mãos e o rosto a uma distância segura do vapor e das aberturas de saída de ar. Também tenha cuidado com o vapor quente e o ar ao remover a panela do aparelho. Quaisquer superfícies acessíveis podem ficar quentes durante o uso.
25. Desconecte imediatamente o aparelho se houver fumo escuro saindo dele. Espere que ele pare de fumar antes de remover a panela do aparelho.
26. Se o aparelho for utilizado indevidamente ou para fins profissionais ou semiprofissionais, ou não for utilizado de acordo com as instruções do manual do usuário, a garantia se tornará inválida e poderemos recusar qualquer responsabilidade por danos causados.
27. Este aparelho deve ser usado em aplicações domésticas e similares, como:
 - Áreas de cozinha para funcionários em lojas, escritórios e outros ambientes de trabalho;
 - casas de fazenda;
 - Por clientes em hotéis, motéis e outros

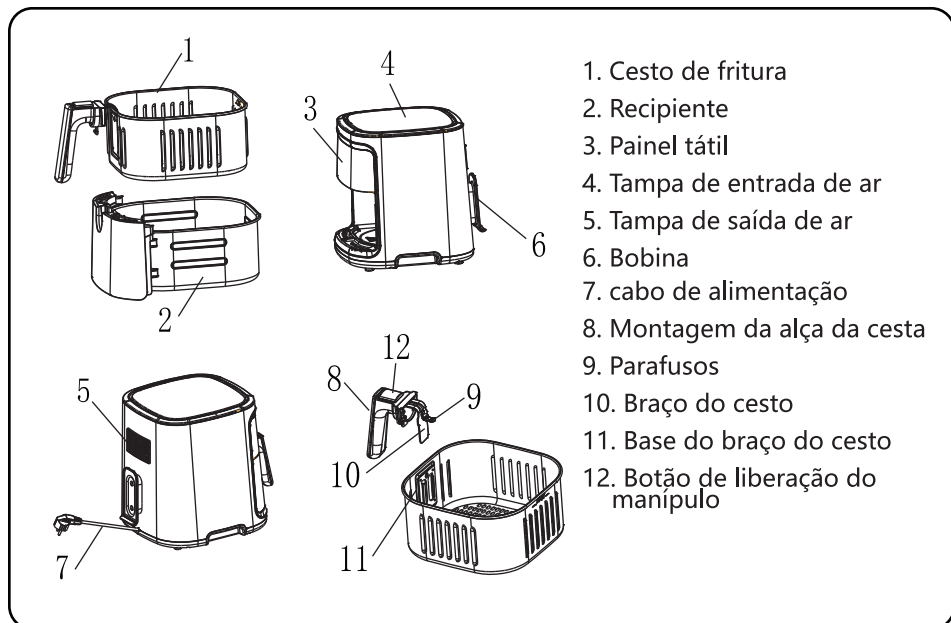
ambientes residenciais;
- Ambientes tipo cama e pequeno almoço

ESPECIFICAÇÕES TÉCNICAS

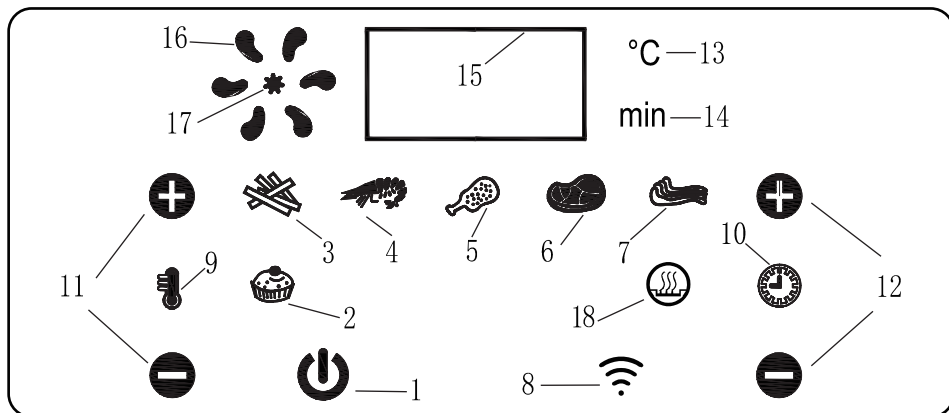
Modelo No.	300010XQF
Fonte de energia	220-240V ~ 50/60Hz
Consumo de energia	1900W
Dimensões	L416*W318*H346mm
Capacidade	7L
Frequência operacional	2400-2483.5MHz
Máximo transmitido	21dbm

As especificações e design estão sujeitos a alterações sem aviso prévio.

VISÃO GERAL DO PRODUTO



FUNÇÕES PRINCIPAIS



1. BOTÃO LIGA / DESLIGA

Depois que a fonte de alimentação estiver conectada, a campainha emitirá um som "DI", todos os indicadores irão iluminar brevemente. Depois disso, apenas o botão liga / desliga permanece iluminado e a tela será exibida "Desligado". Isso indica que a fritadeira está no modo de suspensão.

Coloque o aparelho no modo de espera: toque levemente no botão liga / desliga. O visor mostrará a configuração padrão de 200 °C, 18 minutos. Os outros botões de operação acenderão ao mesmo tempo.

Iniciar o dispositivo: Depois de definir a hora e a temperatura, toque no botão liga / desliga novamente para iniciar o dispositivo.

Desligue o dispositivo: toque no botão liga / desliga durante o processo de fritura para desligar o aparelho. A fritadeira para de funcionar e volta ao modo de suspensão.

2-7. BOTÃO DE RECEITA

O botão de receita permite definir automaticamente as condições de cozimento para sete opções de alimentos populares. Depois de selecionado, o botão correspondente da receita piscará e a fritadeira será ajustada no tempo e temperatura padrão.

Nota: Essas configurações são as configurações padrão. Como os ingredientes diferem em origem, tamanho, forma e marca, não podemos predeterminar a melhor configuração para todos os ingredientes. Pode aumentar ou diminuir o tempo e a temperatura padrão de acordo com a natureza de seus ingredientes usando o botão de controle de tempo / temperatura.

Ítems	Ingredientes	Temperatura predefinida (°C)	Tempo padrão (minutos)
2	Bolo	160	30
3	Batatas	200	22
4	Camarão	180	15
5	Frango	200	22
6	Bife	180	15
7	Carne	180	20

8. INDICADOR WIFI**9. INDICADOR DE CONTROLE DE TEMPERATURA****10. INDICADOR DE CONTROLE DO TEMPO****11. BOTÕES DE CONTROLE DE TEMPERATURA**

Os símbolos + e - aumentam ou diminuem a temperatura de cozinhar / manter quente em 10 °C cada vez. Manter o botão pressionado mudará rapidamente a temperatura. O controle de temperatura varia de 80 °C -200 °C.

12. COZINHAR / MANTER OS BOTÕES DE CONTROLE DO TIMER QUENTE

Os símbolos + e - permitem aumentar ou diminuir o tempo de cozinhar / manter quente (em incrementos de um minuto). Manter o botão pressionado altera rapidamente o tempo de cozimento. O intervalo de tempo é de 1 a 60 minutos.

13. INDICADOR DE TEMPERATURA**14. INDICADOR DE TEMPO****15. VISOR****16. INDICADOR DE VENTILADOR**

Isso indica que o ventilador está funcionando.

17. INDICADOR DE AQUECIMENTO

Isso indica que o elemento de aquecimento está a funcionar.

18. MANTENHA O BOTÃO QUENTE

Toque no botão manter quente e inicie o dispositivo. A fritadeira funcionará no modo manter quente e o botão manter quente piscará. A configuração padrão é 80 °C, 60 minutos. Também pode ajustar o tempo e a temperatura de aquecimento usando o botão de controle de tempo / temperatura.

ANTES DO PRIMEIRO USO

1. Remova todos os materiais de embalagem.
2. Limpe bem o cesto e a panela com água quente, detergente e uma esponja não abrasiva.
3. Limpe a parte interna e externa do produto com um pano húmido.
4. Aviso: Na primeira utilização, a fritadeira pode emitir um leve odor. Este odor não é prejudicial e desaparecerá após alguns minutos. Isso é normal em muitos aparelhos de aquecimento. Não afeta a segurança do seu aparelho.

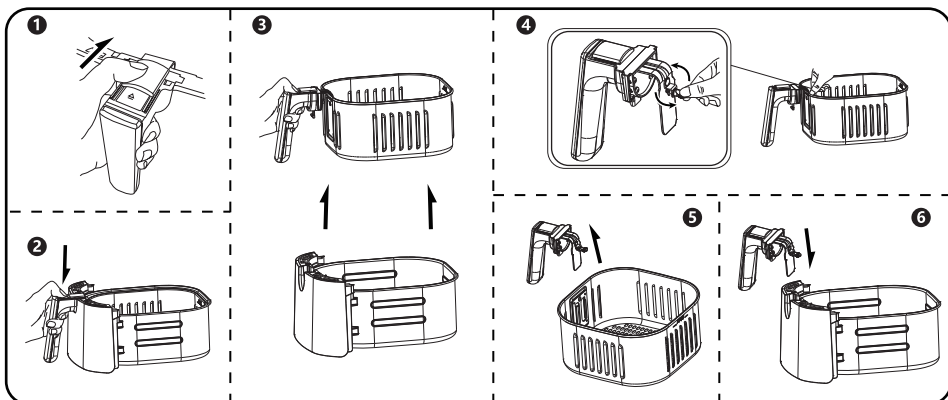
INSTRUÇÕES DE UTILIZAÇÃO

1. Coloque a fritadeira em uma superfície estável, horizontal e nivelada. Não coloque nada em cima da fritadeira, pois isso interromperá o fluxo de ar e afetará os resultados.
2. Quando a energia estiver conectada, a fritadeira fará um som DI. A tela digital acenderá brevemente. Depois disso, apenas o botão liga / desliga, o indicador

WiFi e a tela permanecerão iluminados. Isso indica que a fritadeira está no modo de suspensão.

3. Coloque a cesta na panela. Puxe cuidadosamente a panela da fritadeira para fora da fritadeira. Coloque os ingredientes na cesta.
4. Deslize a panela da fritadeira de volta para a fritadeira.

Nota: Também pode montar a alça da cesta na panela diretamente para fritar sem o uso da cesta (desaparafuse o parafuso no braço da cesta para soltar a alça da cesta da base do braço da cesta e parafuse-a na panela.)



Cuidado: Não toque no interior da panela ou cesto da fritadeira dentro de 30 minutos de uso, pois eles ficam muito quentes. Sempre use a alça fornecida para segurar a panela.

5. Determine o tempo de cozimento e a temperatura necessários para os ingredientes que estão sendo fritos (consulte FUNÇÕES PRINCIPAIS).
6. Alguns alimentos exigem agitação no meio do tempo de cozimento. Para agitar os alimentos, retire a panela da fritadeira usando a alça e agite-a com cuidado. Em seguida, deslize a panela de volta para a fritadeira. A tecnologia de ar rápido pode reaquecer instantaneamente o ar dentro do aparelho. Como tal, remover a panela do dispositivo durante o processo de fritura com ar quente não atrapalha o processo de cozimento.

Cuidado: Não pressione o botão de liberação da alça durante a agitação.

7. Quando ouvir a campainha do timer, o tempo de cozimento ajustado foi atingido. Use a alça para remover a panela do aparelho.
8. Verifique se os alimentos estão bem cozidos. Caso contrário, basta deslizar a panela de volta para o aparelho e ajustar o temporizador por mais alguns minutos.
9. Para remover alimentos (por exemplo, batatas fritas), retire a panela da fritadeira e coloque-a em uma superfície resistente ao calor. Em seguida, pressione o botão de liberação do cesto e levante o cesto para fora da panela. Esvazie a cesta em uma tigela ou em um prato.

Cuidado: Não vire a cesta de cabeça para baixo com a panela ainda acoplada a ela, pois qualquer excesso de óleo coletado na parte inferior da panela vazará sobre os alimentos.

Cuidado: A panela e a comida estarão muito quentes. Dependendo do tipo de alimento que cozinhou na fritadeira, o vapor pode escapar da panela.

10. Quando um lote de comida estiver pronto, a fritadeira de ar quente estará instantaneamente pronta para cozinhar outro lote.

DICAS DE COZINHA

1. Quantidades menores de comida geralmente requerem um tempo de cozimento um pouco menor do que volumes maiores.
2. Agitar pequenas quantidades de comida na metade do tempo de cozimento otimiza o resultado final e pode ajudar a evitar ingredientes fritos de maneira desigual.
3. Adicione um pouco de óleo às batatas frescas para obter um resultado crocante. Frite os ingredientes na fritadeira alguns minutos depois de adicionar o óleo.
4. Não cozinhe ingredientes extremamente gordurosos, como salsichas, na fritadeira.
5. Qualquer lanche que possa ser cozido no forno também pode ser cozido na fritadeira.
6. Use massa pré-fabricada para cozinhar lanches recheados com rapidez e facilidade. A massa pré-fabricada também requer um tempo de cozimento menor do que a massa caseira.
7. Coloque uma assadeira ou forno no cesto da fritadeira se quiser assar um bolo ou quiche ou se quiser fritar ingredientes frágeis ou recheados.

SOLUÇÃO DE PROBLEMAS

Problema	Possível causa	Solução
A fritadeira não funciona.	O aparelho não está conectado.	Ligue a ficha a uma tomada de terra.
A comida não é cozida após a operação.	Havia muita comida na cesta.	Coloque pequenas quantidades de comida na cesta. Quantidades menores são fritas de maneira mais uniforme.
	A temperatura definida estava muito baixa.	Coloque a chave de temperatura na configuração de temperatura apropriada.
	O tempo de cozimento foi muito curto.	Defina o temporizador para o tempo de cozimento necessário.
A comida frita de forma irregular na fritadeira de ar quente.	O tempo de cozimento foi muito curto.	Os ingredientes que estão em cima uns dos outros (por exemplo, batatas fritas) precisam ser sacudidos na metade do tempo de cozimento.
Lanches fritos não ficam crocantes quando saem da fritadeira.	Certos tipos de alimentos precisam ser sacudidos na metade do tempo de cozimento.	Use lanches no forno ou pincele levemente um pouco de óleo sobre os lanches para obter um resultado mais crocante.
Não consigo deslizar a panela corretamente no aparelho.	Há muita comida na cesta.	Não encha a cesta além do indicador "MAX".
	O cesto não está colocado corretamente na panela.	Empurre a cesta para dentro da panela até ouvir um clique.
A fumaça branca sai do aparelho.	está cozinhando ingredientes gordurosos.	Quando frita ingredientes gordurosos na fritadeira, uma grande quantidade de óleo vaza na panela. O óleo produz fumaça branca e a panela pode esquentar mais do que o normal. Isso não afeta o aparelho nem o resultado final do cozimento.
	A panela contém resíduos de graxa de uso anterior.	A fumaça branca é causada pelo aquecimento da graxa na panela. Certifique-se de limpar a panela corretamente após cada uso.
As batatas fritas frescas são fritas de forma desigual na fritadeira de ar quente.	não usou o tipo certo de batata.	Use batatas frescas e certifique-se de que elas permaneçam firmes durante a fritura.
	não enxaguou bem os palitos de batata antes de fritá-los.	Lave os palitos de batata adequadamente para remover o amido da parte externa dos palitos.
As batatas fritas não ficam crocantes quando saem da fritadeira.	A crocância das batatas fritas depende da quantidade de óleo e água nas batatas.	Seque os palitos de batata corretamente antes de adicionar o óleo.
		Corte pequenos palitos de batata para obter um resultado mais crocante
		Adicione um pouco mais de óleo para obter um resultado mais nítido.

LIMPEZA E MANUTENÇÃO

1. Limpe o aparelho após cada uso.
2. Remova o plugue da tomada e deixe o aparelho arrefecer antes de limpá-lo.
Dica: Remova a panela do aparelho para ajudar a fritadeira a arrefecer mais rapidamente.
3. Limpe a panela e o cesto com água quente, um pouco de detergente para a louça e uma esponja não abrasiva.
Nota: Não use utensílios de cozinha de metal ou materiais de limpeza abrasivos para limpar a panela e o cesto de fritar, pois isso pode danificar o revestimento antiaderente.
Nota: Se deseja limpar a cesta na máquina de lavar louça, primeiro desconecte o componente da alça da base do braço da cesta. Depois que o cesto estiver limpo e completamente seco, reinstale o conjunto da alça na base do braço do cesto antes de apertar o parafuso para a próxima utilização. A panela não pode ser lavada na máquina de lavar louça.
4. Limpe a parte externa do aparelho com um pano húmido.
5. pode usar líquido desengordurante para remover qualquer sujidade restante.
Dica: Se a sujidade estiver grudada no cesto ou no fundo da panela, encha a panela com água quente com um pouco de detergente. Coloque a cesta na panela e deixe a panela e a cesta de molho por aproximadamente 10 minutos.

ARMAZENAMENTO

1. Desconecte o aparelho e deixe arrefecer completamente antes de guardar. Verifique se todas as peças estão limpas e secas.
Guarde a fritadeira em local seco.
2. Não coloque itens pesados sobre a fritadeira durante o armazenamento, pois isso pode danificá-la.
3. O cabo de alimentação pode ser enrolado na bobina na parte traseira da fritadeira para facilitar o armazenamento.

DISPOSIÇÃO



Como revendedor responsável, nos preocupamos com o meio ambiente. Portanto, recomendamos que siga os procedimentos corretos de descarte do aparelho e de seus materiais de embalagem. Isso ajudará a conservar os recursos naturais e garantir que esses itens sejam reciclados de maneira a proteger a saúde e o meio ambiente.

deve descartar o aparelho e sua embalagem de acordo com as leis e regulamentos locais.

Como este aparelho contém componentes eletrônicos, ele e seus acessórios devem ser descartados separadamente do lixo doméstico quando chegar ao fim de sua vida útil.


Entre em contato com a autoridade local para saber mais sobre suas opções de descarte e reciclagem.

O aparelho deve ser levado ao seu centro de reciclagem local. Alguns pontos de coleta aceitam aparelhos gratuitamente.

GARANTIA: 2 ANOS

FONTOS BIZTONSÁGI ELŐÍRÁSOK

Az elektromos készülékek használata során mindig be kell tartani az alapvető biztonsági előírásokat, beleértve a következőket:

1. Olvasson el minden utasítást. Ellenőrizze, hogy a készüléken feltüntetett feszültség egyezik-e a helyi hálózati feszültséggel.
2. Ne érintse meg a forró felületeket.
3. Az áramütés elkerülése érdekében a hálózati kábelt, a csatlakozót, vagy a készülék bármelyik, elektromos alkatrészt vagy fűtőegységet tartalmazó részét ne merítse vízbe és ne öblítse folyóvíz alatt.
4.  **FIGYELEM:** ez az elektromos készülék fűtőegységet tartalmaz. A fűtőegységen kívül más felületek is erősen felmelegedhetnek. Mivel minden ember másképp érzékeli a hőmérsékletet, a készülékkel ÓVATOSAN kell bánni. A készüléket csak a fogantyúknál és a megfogófelületeknél érintse meg, és használjon hővédő kesztyűt. A megfogófelületen kívüli felületek lehűléséhez idő kell, és csak utána szabad megérinteni őket.
5. A készüléket mindig csatlakoztassa le a hálózati feszültségről, ha nincs használatban, vagy tisztítani szeretné. Az alkatrészek leválasztása vagy

visszaillesztése előtt hagyja lehűlni a készüléket. A készülék körülbelül 30 perc alatt hűl le annyira, hogy biztonságosan kezelhető vagy tisztítható legyen. Az elektromos hálózatról való lecsatlakoztatáskor fordítsa az „OFF” helyzetbe bármelyik beállítást, majd húzza ki a csatlakozódugaszt a fali aljzatból.

6. Ha a készülék csatlakozóvezetéke megsérül, akkor a veszélyek megelőzése érdekében a gyártóval, a gyártó vevőszolgálatával, vagy egy megfelelő szakképzettséggel rendelkező személlyel cseréltesse ki.
7. A gyártó nem javasolja kiegészítők használatát, mert ezek sérülést okozhatnak.
8. Ne használja kültéren a készüléket.
9. Ne hagyja, hogy a hálózati kábel lelógjon az asztal vagy a pult szélén, vagy forró felülettel érintkezzen.
10. Ne helyezze forró gázégő vagy elektromos főzőlap közelébe, illetve működő sütőbe.
11. Forró élelmiszert tartalmazó készülék mozgatása esetén rendkívül óvatosan járjon el.
12. Ne használja a készüléket a rendeltetésétől eltérő célokra.
13. Ezt a készüléket 8 évnél idősebb gyermekek és csökkent fizikai, érzékszervi vagy értelmi képességű, illetve tapasztalattal és tudással nem rendelkező

személyek is használhatják, amennyiben felügyelik őket, vagy a készülék biztonságos használatát ismertették és megértették velük a veszélyeit. Gyermek nem játszhat a készülékkel. Gyermek csak megfelelő felügyelet mellett tisztíthatják vagy tarthatják karban a készüléket.

- 14.A 8 évesnél fiatalabb gyermekeket tartsa távol a készüléktől, valamint annak kábelétől.
- 15.A készüléket ne használja külső időzítővel vagy külön távvezérlő rendszerrel.
- 16.A sütni kívánt hozzávalókat mindig helyezze a sütőkosárba/-edénybe, és ügyeljen rá, hogy ez ne érintkezzen a fűtőelemekkel.
- 17.A készülék működése közben ne fedje le a levegőbemeneti és -kimeneti nyílásokat.
- 18.Az edénybe ne öntsön túl sok olajat, mert ez tűzveszélyes.
- 19.Működés közben ne érintse meg a készülék belsejét.
- 20.Ne használja a készüléket, ha a hálózati kábele, hálózati dugasa vagy más része sérült. A készülék hálózati kábelét csak ilyen munkára képesített személy javíthatja vagy cserélheti.
- 21.Nedves kézzel ne csatlakoztassa a hálózati feszültségre és ne üzemeltesse a készüléket.

22. A készülék ne érintkezzen a fallal vagy más készülékkal. A készülék felett, a hátoldala és az oldalai mellett hagyjon legalább 10 cm szabad helyet.
23. Működés közben ne hagyja felügyelet nélkül a készüléket.
24. A forrólevegős sütés közben forró gőz távozik a levegőkimeneteken. Arcát és kezét tartsa biztonságos távolságban a gőztől és a levegőkimenetektől. Akkor is ügyeljen a forró gőzre és levegőre, amikor az edényt kiveszi a készülékből. Használat közben a megérinthető részek felforrósodhatnak.
25. Ha a készülékből sötét füst távozik, azonnal csatlakoztassa le a hálózati feszültségről. Az edényt csak akkor vegye ki a készülékből, ha a füstképződés megszűnt.
26. A készülék helytelen vagy kereskedelmi, illetve fél-kereskedelmi célú, a jelen utasításoknak nem megfelelő használata esetén a jótállás megszűnhet, és a gyártó minden felelősséget elháríthat a keletkezett károkkal kapcsolatban.
27. A készülék háztartási, vagy ahhoz hasonló használatra alkalmas, mint például:
- személyzeti konyha üzletben, irodában és más munkakörnyezetben;
 - vidéki házban;
 - hotel, motel és más lakóterületi jellegű környezetben;

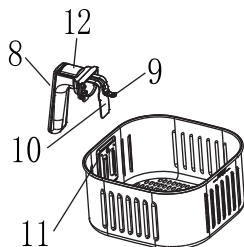
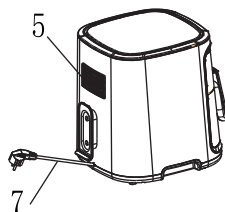
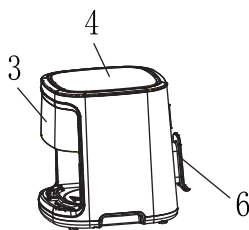
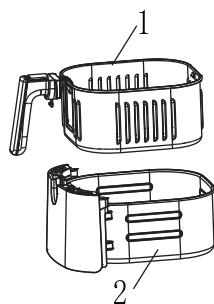
- Bed and breakfast típusú környezetben.

MŰSZAKI ADATOK

Modellszám	300010XQF
Tápfeszültség	220-240V ~ 50/60Hz
Teljesítményfelvétel	1900 W
Méretetek	hossz: 416, szélesség:318, magasság: 346 mm
Úrtartalom	7 l
Működési frekvencia	2400- 2483.5 MHz
Legnagyobb átviteli teljesítmény	21 dBm

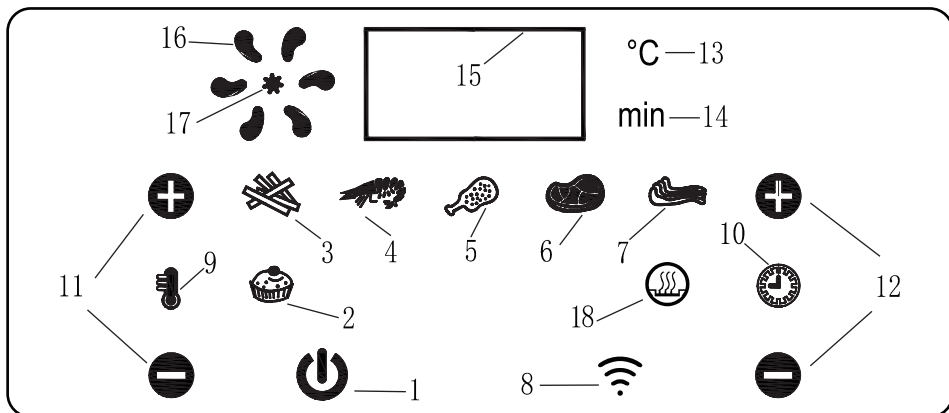
A műszaki adatok és a kialakítás előzetes értesítés nélkül változhatnak.

ÁTTEKINTÉS



- 1.Sütőkosár
- 2.Edény
- 3.Érintőpanel
- 4.Levegőbemenet fedele
- 5.Levegőkimenet fedele
- 6.Kábelfeltekerő
- 7.Hálózati kábel
- 8.Kosárfogantyú-szerelvény
- 9.Csavarok
- 10.Kosár karja
- 11.Kosárkar-rögzítő
- 12.Fogantyú kioldógombja

FŐ FUNKCIÓK



1. BEKAPCSOLÓ GOMB

A tápegység csatlakoztatása után "DI" hangjelzés hallható és az összes kijelző rövid időre kigyullad. Ezt követően csak a bekapcsológomb világít, és a kijelzőn az "OFF" felirat jelenik meg. Ez azt jelzi, hogy a légsütő alvó üzemmódban van.

A készülék készenléti állapotba kapcsolása: érintse meg a bekapcsoló gombot. A kijelző az alapértelmezett beállítást mutatja: 200 °C és 18 perc. A többi kezelőgomb megvilágítása is bekapcsolódik.

A készülék elindítása: az idő és a hőmérséklet beállítása után érintse meg a bekapcsoló gombot és a készülék üzemelni kezd.

A készülék kikapcsolása: sütés közben a bekapcsoló gombot megérintve a készülék leáll. A készülék működése leáll és visszatér az alvó üzemmódba.

2-7. RECEPT-GOMB

A recept-gombbal automatikusan beállíthatja hét általánosan kedvelt étel elkészítését. A kiválasztott recept-gomb villog, a készülék pedig beállítja a hozzá tartozó alapértelmezett időt és hőmérsékletet.

Megjegyzés: ezek a beállítások az alapértelmezett beállítások. Mivel az összetevők származási helye, mérete, alakja és márkája változhat, nem lehet előre meghatározni a minden összetevőre vonatkozóan legjobb beállítást. Az idő- és hőmérsékletbeállító gombbal az összetevőknek megfelelően megváltoztathatja az alapértelmezett időt és hőmérsékletet.

Items	Összetevő	Alapértelmezett hőmérséklet (°C)	Alapértelmezett idő (perc)
2	Torta	160	30
3	Burgonya	200	22
4	Garnélarák	180	15
5	Csirke	200	22
6	Steak	180	15
7	Hús	180	20

8. WIFI-JELZŐ**9. HŐMÉRSÉKLET-BEÁLLÍTÓ JELZŐFÉNYE****10. IDŐBEÁLLÍTÓ JELZŐFÉNYE****11. HŐMÉRSÉKLETBEÁLLÍTÓ GOMBOK**

A + és – gomb minden megnyomásra 10 °C-kal növeli vagy csökkenti a sütési/melegen tartási hőmérsékletet. A gombot nyomva tartva a hőmérséklet gyorsan változik. A hőmérséklet 80 °C és 200 °C között szabályozható.

12. IDŐBEÁLLÍTÓ GOMBOK

A + és – gombbal a sütési/melegen tartási időt egy perces lépésekben lehet növelni vagy csökkenteni. A gombot nyomva tartva a sütési idő gyorsan változik. Az idő 1 és 60 perc között állítható.

13. HŐMÉRSÉKLETKIJELZŐ**14. IDŐKIJELZŐ****15. KIJELZŐ****16. VENTILÁTOR-KIJELZŐ**

Azt jelzi, hogy a ventilátor működik.

17. FŰTÉSJELZŐ

Azt jelzi, hogy a fűtőegység működik.

18. MELEGEN TARTÁS GOMB

A készülék elindításához tartsa nyomva a melegen tartás gombot. A készülék melegen tartás üzemmódban kezd működni, és a melegen tartás gomb villog. Az alapértelmezett beállítás: 80 °C, 60 perc. A melegen tartás idejét és hőmérsékletét az idő- és hőmérsékletbeállító gombbal módosítani lehet.

A HASZNÁLATBA VÉTEL ELŐTT

1. Távolítsa el minden csomagolóanyagot.
2. Meleg vízzel, mosogatószerrel és nem súroló szivaccsal tisztítsa meg az edényt és a sütőkosarat.
3. Nedves ruhával törölje át a készülék belsejét és külsejét.
4. Figyelem: az első bekapcsolás után a készülék enyhe szagot bocsáthat ki. Ez a szag nem káros, és pár perc múlva eltűnik. Ez a jelenség minden fűtőkészülék esetében normális. Nem befolyásolja a készülék biztonságát.

HASZNÁLATI ELŐÍRÁSOK

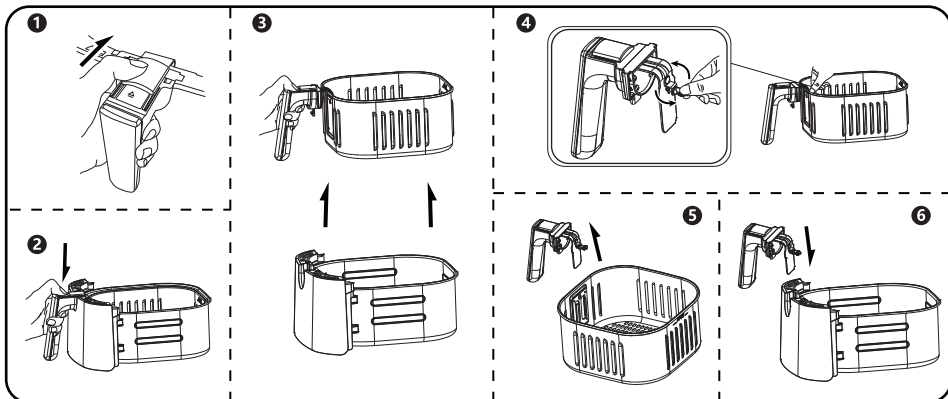
1. A sütőt stabil, vízszintes és sík felületen helyezze el. Ne tegyen semmit a készülék tetejére, mert ekkor megszakad a levegő áramlása, és ez befolyásolja a sütés eredményét.
2. Az áramforrás csatlakoztatásakor a légkeveréses sütő DI hangot ad. A digitális képernyő rövid időre felvillan. Ezt követően csak a bekapcsológomb, a

WiFi-kijelző és a kijelző fog világítani. Ez azt jelzi, hogy a légkeveréses sütő alvó üzemmódban van.

3.A kosarat tegye az edénybe. Az edényt óvatosan húzza ki a készülékből. Az összetevőket tegye a kosárba.

4.Az edényt tolja vissza a készülékbe.

Megjegyzés: a kosár fogantyúját közvetlenül az edényre is erősítheti, a kosár használata nélkül (csavarozza ki a fogantyú csavarját, vegye le a fogantyút a kosárról, és csavarozza az edényre).



Vigyázat: a készülék használatának befejezése után 30 percig ne érintse meg az edény vagy a kosár belsejét, mert ezek nagyon forrók. Az edény mozgatásához mindig a mellékelt fogantyút használja.

5.Határozza meg a felhasznált összetevők számára szükséges sütési időt és hőmérsékletet (lásd: FŐ FUNKCIÓK).

6.Néhány élelmiszer esetén a sütési idő felénél meg kell rázni az edényt. Ehhez a fogantyú használatával húzza ki az edényt a készülékből, és finoman rázza meg. Ezután tolja vissza az edényt a készülékbe. A gyors levegőforgatós technológia gyorsan ismét felmelegíti a készülék belsejének levegőjét. Ezért a sütési folyamatot nem zavarja meg, ha közben kivesszük az edényt.

Vigyázat: rázás közben ne nyomja meg a fogantyú kioldógombját.

7.Az időzítő hangjelzése azt jelenti, hogy a beállított sütési idő lejárt. A fogantyút használva vegye ki az edényt a készülékből.

8.Ellenőrizze, hogy az étel átsült-e. Ha nem, egyszerűen tolja vissza az edényt és az az időzítőn állítson be néhány percnyi további sütést.

9.Az étel (pl. sült krumpli) eltávolításához húzza ki az edényt a készülékből és helyezze hóálló felületre. Ezután nyomja meg a kosárkioldó gombot és a kosarat emelje ki az edényből. A kosár tartalmát ürítse ki egy tálba vagy tányérra.

Vigyázat: Ne fordítsa fejjel lefelé a kosarat, ha az még az edényben van, mert az edény alján esetleg összegyűlt olaj az ételre folyhat.

Vigyázat: az edény és az étel nagyon forró. A forrólevegős sütőben sült étel típusától függően gőz távozhat az edényből.

10.Ha egy adag étel elkészült, a forrólevegős sütő azonnal készen áll a következő adag megsütésére.

SÜTÉSI TANÁCSOK

1. Kisebb mennyiségű élelmiszerhez kissé rövidebb sütési időt használjon, mint a nagyobb mennyiségűhöz.
2. Ha kisebb mennyiségű élelmiszert a sütési idő felénél megrázza, akkor az eredmény jobb lesz, és az egyenetlen sütést is megakadályozza.
3. Ha a nyers burgonyához kevés olajat ad, az eredmény ropogós lesz. Az összetevők sütését pár perccel az olaj hozzáadása után kezdje meg.
4. A forrólevegős sütőben ne süssön nagyon zsíros ételeket, például kolbászt.
5. Minden ételt, amit sütőben lehet sütni, a forrólevegős sütőben is meg lehet sütni.
6. A töltött ételek gyors és egyszerű sütéséhez használjon előregyártott tésztát. Az előregyártott tészta sütési ideje rövidebb, mint a házilag készített tésztaé.
7. Torta/pite sütéséhez, vagy törekeny/töltött ételekhez használjon sütőedényt vagy tortaformát a kosárban.

HIBABEHATÁROLÁS

Probléma	Lehetséges ok	Megoldás
A forrólevegős sütő nem működik.	A készülék nem csatlakozik a hálózati feszültségre.	A hálózati csatlakozót dugja egy földelt hálózati csatlakozóba.
A sütési idő letelte után az étel nem sült meg.	Túl sok élelmiszer volt a kosárban.	Tegyen kevesebb élelmiszert a kosárba. A kisebb mennyiség egyenletesebben sül meg.
	A beállított hőmérséklet túl kicsi volt.	A beállítógombokkal állítsa be megfelelő hőmérsékletet.
	A sütési idő túl rövid volt.	Az időzítőt állítsa a szükséges sütési időre.
Az étel nem egyenletesen sült meg a forrólevegős sütőben.	Bizonyos típusú élelmiszereket a sütési idő felénél meg kell rázni.	A felül, vagy egymáson elhelyezkedő összetevőket (pl. burgonya) a sütési idő felénél meg kell rázni.
A sült snackek nem ropogósak a sütés végén.	Olyan snacket használt, amit hagyományos olajsütőben kell sütni.	Sütőben süthető snackeket használjon, vagy ecsetelje meg a tetejüket olajjal, hogy ropogósabbak legyenek.
Nem lehet megfelelően betolni az edényt a készülékbe.	Túl sok élelmiszer van a kosárban.	A kosárba helyezett étel mennyisége ne haladja meg a MAX jelölésű szintet.
	A kosár nem megfelelően helyezkedik el az edényben.	A kosarat kattanásig nyomja bele az edénybe.
Fehér füst távozik a készülékből.	Zsíros összetevőket süt.	Ha a készülékben zsíros összetevőket süt, akkor nagy mennyiségű zsír vagy olaj kerül az edénybe. Ez fehér füstöt eredményez, és az edény a szokásosnál jobban felmelegedhet. A jelenség nincs hatással a készülékre és a sütés végeredményére.
	Az edényben zsír vagy olaj maradt az előző sütés után.	Az edényben felmelegedő zsír vagy olaj fehér füstöt okoz. Minden használat után megfelelően tisztítsa meg az edényt.
A friss étel nem egyenletesen sült meg a forrólevegős sütőben.	Nem a megfelelő típusú burgonyát használta.	Használjon friss burgonyát, és gondoskodjon róla, hogy a sütés közben ne mozogjanak.
	A sütés előtt nem öblítette le megfelelően a burgonyahasábokat.	A burgonyahasábokat megfelelően le kell öblíteni, hogy a külsejükön található keményítő ne maradjon rajtuk.
A sült burgonya nem ropogós a sütés végén.	A ropogósság az olaj és a víz mennyiségétől függ.	Az olaj hozzáadása előtt megfelelően szárítsa meg a burgonyahasábokat.
		A ropogósabb eredmény eléréséhez vágjon kisebb burgonyahasábokat.
		A ropogósabb eredmény érdekében adjon hozzá kissé több olajat.

TISZTÍTÁS ÉS KARBANTARTÁS

1. Minden használat után tisztítsa meg a készüléket.
2. Húzza ki a csatlakozót a hálózati aljzataból, és a tisztítás előtt hagyja lehűlni a készüléket.

Tanács: a gyorsabb lehűlés érdekében vegye ki az edényt a készülékből.

3. Az edényt és a kosarat meleg vízzel, kevés mosogatószerrel és nem súroló szivaccsal tisztítsa meg.

Megjegyzés: az edény és a kosár tisztításához ne használjon fémből készült eszközt vagy súrolószert, mert ezek megsérthetik a tapadásmentes bevonatot.

Megjegyzés: ha a kosarat mosogatógépben tisztítja, előzőleg vegye le róla a fogantyút. A kosár megtisztítása és teljes megszáradása után, a következő használat előtt tegye vissza a fogantyút a kosárra és húzza meg a csavart. Az edényt nem lehet mosogatógépbe tenni.


4. A készülék külsejét nedves ruhával törölje le.
5. A maradék szennyeződés eltávolításához zsíroldő folyadékot lehet használni.

Tanács: Ha a kosáron vagy az edény alján szennyeződés maradt, töltsse meg az edényt meleg, mosogatószeres vízzel. A kosarat tegye az edénybe, és hagyja ázni kb. 10 percre.

TÁROLÁS

1. A tárolás előtt csatlakoztassa le a készüléket a hálózati feszültségről és hagyja teljesen lehűlni. Minden alkatrész legyen tiszta és teljesen száraz. A forrólevegős sütőt száraz helyen tárolja.
2. A tárolás során ne helyezzen nehéz tárgyat a forrólevegős sütő tetejére, mert ezzel megrongálhatja.
3. A hálózati kábelt tároláskor a kábelfeltekerőre lehet feltekerni.

HULLADÉKKEZELÉS

	<p>Felelős viszonteladóként nagy gondot fordítunk a környezetre. Ezért arra biztatjuk Önt, hogy a készülék és a csomagolóanyagok hulladékkezelését a megfelelő eljárásokkal végezze. Ezzel segít a természeti erőforrások megőrzésében, és biztosítja, hogy az így kezelt hulladék ne károsítsa az emberi egészséget és a környezetet.</p> <p>A készülék és a csomagolóanyagok hulladékkezelését a helyi törvényeknek és előírásoknak megfelelően kell végezni.</p> <p>Mivel a készülék elektronikus alkatrészeket tartalmaz, a forrólevegős sütő és tartozékainak hulladékkezelését a háztartási hulladéktól elkülönítve kell végezni. A hulladékkezelési és újrahasznosítási lehetőségekről érdeklődjön a helyi hatóságnál.</p> <p>A készüléket a helyi újrahasznosítási központban kell leadni. Egyes gyűjtőhelyeken díjmentesen befogadják a készüléket.</p>
---	--

JÓTÁLLÁS: KÉT ÉV



ITALIA MARKET SRL
VIA DELLE INDUSTRIE, 9/1 20883 MEZZAGO(MB), ITALIA
P.IVA: IT10502730962



[HTTP://WWW.AIGOSTAR.COM](http://www.aigostar.com)
MADE IN CHINA